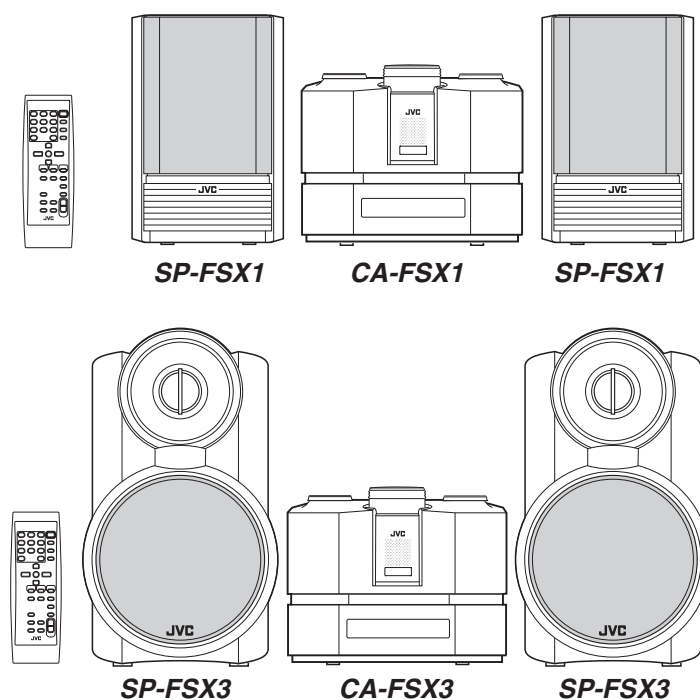


JVC

SERVICE MANUAL

COMPACT COMPONENT SYSTEM

FS-X3, FS-X1



Area Suffix	
J	U.S.A.
C	Canada

TABLE OF CONTENTS

1	PRECAUTION.....	1-3
2	SPECIFIC SERVICE INSTRUCTIONS.....	1-7
3	DISASSEMBLY.....	1-8
4	ADJUSTMENT.....	1-21
5	TROUBLE SHOOTING.....	1-24

SPECIFICATION

CA-FSX1/CA-FSX3	Amplifier	Output Power	30 W per channel min. RMS driven into 4 Ω at 1 kHz with no more than 10 % total harmonic distortion		
		Input Sensitivity/Impedance (1 kHz)	LINE IN	210 mV/51 kΩ (LEVEL 1)	
				520 mV/51 kΩ (LEVEL 2)	
		Output Sensitivity/Impedance (1 kHz)	LINE OUT	600 mV/5.1 kΩ	
			OPTICAL DIGITAL OUT	-23 dBm - -15 dBm	
		Speaker terminals	MIN. 4 Ω		
		Subwoofer out	220 mV/4.9 kΩ		
	Phones	16 Ω - 1 kΩ			
	CD Player	Signal-To-Noise Ratio	95 dB		
		Wow And Flutter	Unmeasurable		
	Tuner	FM Tuner Tuning Range	87.5 MHz - 108.0 MHz		
		AM Tuner Tuning Range	530 kHz - 1 710 kHz		
	Power Specifications	Power Requirements	AC 120 V , 60 Hz		
		Power Consumption	25 W (power on mode)		
			1.2 W (on Standby: with display off)		
				4.6 W (on Standby: with display on)	
	Center Unit	Dimensions	160 mm × 130 mm × 242 mm (W/H/D)		
			(6 - 5/16" × 5? 1/8" × 9 - 17/32")		
		Mass	Approx. 2.3 kg (5.1 lbs)		
	Speaker Specifications (each unit)	SP-FSX1	Type	1-Way Bass-reflex type	
Speaker			8.0 cm (3-3/16") cone × 1		
Power Handling Capacity			30 W		
Impedance			4Ω		
Frequency Range			55 Hz 20 000 Hz		
Sound Pressure Level			81 dB/W·m		
Dimensions			114 mm × 176 mm × 174 mm (W/H/D)		
			(4-1/2" × 6-15/16" × 6-7/8")		
Mass		Approx. 1.3 kg (2.9 lbs) each			
SP-FSX3		Type	2-Way Bass-reflex type		
		Speaker (Woofer)	10.0 cm (3-15/16") cone × 1		
		Speaker (Tweeter)	2.0 cm (13/16") dome × 1		
		Power Handling Capacity	30 W		
		Impedance	4 Ω		
		Frequency Range	55 Hz 40 000 Hz		
		Sound Pressure Level	85 dB/W·m		
		Dimensions	147 mm × 246 mm × 210 mm (W/H/D)		
			(5-13/16" × 9-11/16" × 8-5/16")		
Mass		Approx. 2.4 kg (5.3 lbs) each			

Design and specifications are subject to change without notice.

SECTION 1 PRECAUTION

1.1 Safety Precautions

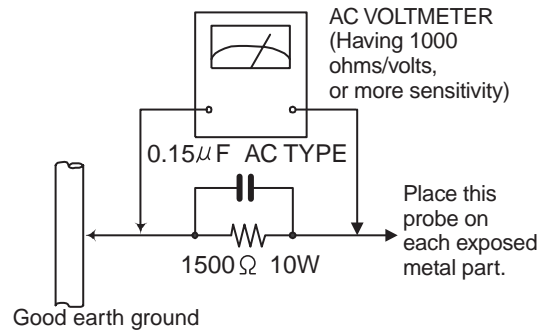
- (1) This design of this product contains special hardware and many circuits and components specially for safety purposes. For continued protection, no changes should be made to the original design unless authorized in writing by the manufacturer. Replacement parts must be identical to those used in the original circuits. Services should be performed by qualified personnel only.
- (2) Alterations of the design or circuitry of the product should not be made. Any design alterations of the product should not be made. Any design alterations or additions will void the manufacturer's warranty and will further relieve the manufacturer of responsibility for personal injury or property damage resulting therefrom.
- (3) Many electrical and mechanical parts in the products have special safety-related characteristics. These characteristics are often not evident from visual inspection nor can the protection afforded by them necessarily be obtained by using replacement components rated for higher voltage, wattage, etc. Replacement parts which have these special safety characteristics are identified in the Parts List of Service Manual. Electrical components having such features are identified by shading on the schematics and by (Δ) on the Parts List in the Service Manual. The use of a substitute replacement which does not have the same safety characteristics as the recommended replacement parts shown in the Parts List of Service Manual may create shock, fire, or other hazards.
- (4) The leads in the products are routed and dressed with ties, clamps, tubings, barriers and the like to be separated from live parts, high temperature parts, moving parts and/or sharp edges for the prevention of electric shock and fire hazard. When service is required, the original lead routing and dress should be observed, and it should be confirmed that they have been returned to normal, after reassembling.
- (5) Leakage shock hazard testing

After reassembling the product, always perform an isolation check on the exposed metal parts of the product (antenna terminals, knobs, metal cabinet, screw heads, headphone jack, control shafts, etc.) to be sure the product is safe to operate without danger of electrical shock. Do not use a line isolation transformer during this check.

- Plug the AC line cord directly into the AC outlet. Using a "Leakage Current Tester", measure the leakage current from each exposed metal part of the cabinet, particularly any exposed metal part having a return path to the chassis, to a known good earth ground. Any leakage current must not exceed 0.5mA AC (r.m.s.).
- Alternate check method
Plug the AC line cord directly into the AC outlet. Use an AC voltmeter having, 1,000 Ω per volt or more sensitivity in the following manner. Connect a 1,500 Ω 10W resistor paralleled by a 0.15 μ F AC-type capacitor between an exposed metal part and a known good earth ground. Measure the AC voltage across the resistor with the AC

voltmeter.

Move the resistor connection to each exposed metal part, particularly any exposed metal part having a return path to the chassis, and measure the AC voltage across the resistor. Now, reverse the plug in the AC outlet and repeat each measurement. Voltage measured any must not exceed 0.75 V AC (r.m.s.). This corresponds to 0.5 μ mA AC (r.m.s.).



1.2 Warning

- (1) This equipment has been designed and manufactured to meet international safety standards.
- (2) It is the legal responsibility of the repairer to ensure that these safety standards are maintained.
- (3) Repairs must be made in accordance with the relevant safety standards.
- (4) It is essential that safety critical components are replaced by approved parts.
- (5) If mains voltage selector is provided, check setting for local voltage.

1.3 Caution

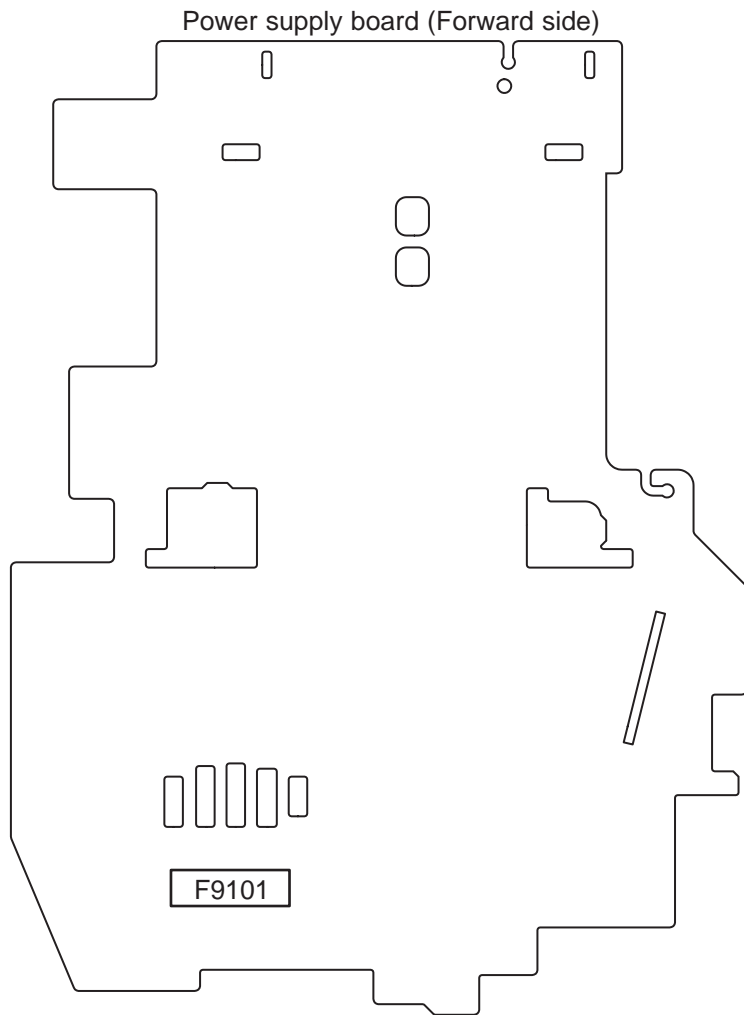
Burrs formed during molding may be left over on some parts of the chassis.

Therefore, pay attention to such burrs in the case of pre-forming repair of this system.

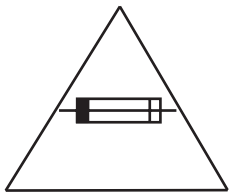
1.4 Critical parts for safety

In regard with component parts appearing on the silk-screen printed side (parts side) of the PWB diagrams, the parts that are printed over with black such as the resistor (■), diode (■) and ICP (●) or identified by the " Δ " mark nearby are critical for safety. When replacing them, be sure to use the parts of the same type and rating as specified by the manufacturer. (This regulation does not Except the J and C version)

1.5 Importance administering point on the safety



For USA and Canada / pour États - Unis d'Amérique et Canada



Caution: For continued protection against risk of fire, replace only with same type 5A/125V for F9101.

This symbol specifies type of fast operating fuse.

Précaution: Pour éviter risques de feux, remplacez le fusible de sûreté de F9101 comme le même type que 5A/125V.

Ce sont des fusibles sûretés qui fonctionnent rapide.

1.6 Preventing static electricity

Electrostatic discharge (ESD), which occurs when static electricity stored in the body, fabric, etc. is discharged, can destroy the laser diode in the traverse unit (optical pickup). Take care to prevent this when performing repairs.

1.6.1 Grounding to prevent damage by static electricity

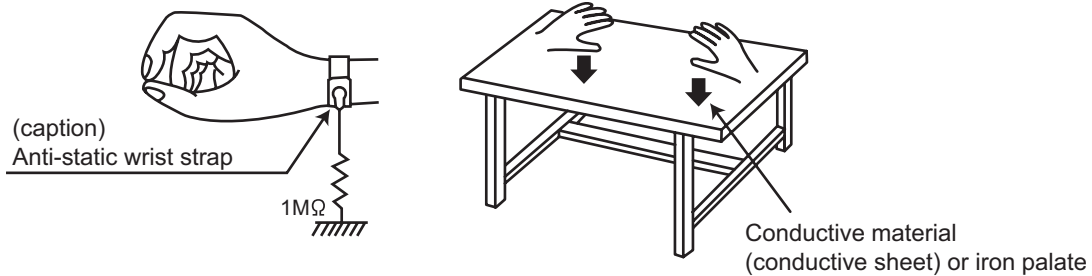
Static electricity in the work area can destroy the optical pickup (laser diode) in devices such as CD players. Be careful to use proper grounding in the area where repairs are being performed.

(1) Ground the workbench

Ground the workbench by laying conductive material (such as a conductive sheet) or an iron plate over it before placing the traverse unit (optical pickup) on it.

(2) Ground yourself

Use an anti-static wrist strap to release any static electricity built up in your body.



(3) Handling the optical pickup

- In order to maintain quality during transport and before installation, both sides of the laser diode on the replacement optical pickup are shorted. After replacement, return the shorted parts to their original condition. (Refer to the text.)
- Do not use a tester to check the condition of the laser diode in the optical pickup. The tester's internal power source can easily destroy the laser diode.

1.7 Handling the traverse unit (optical pickup)

(1) Do not subject the traverse unit (optical pickup) to strong shocks, as it is a sensitive, complex unit.

(2) Cut off the shorted part of the flexible cable using nippers, etc. after replacing the optical pickup. For specific details, refer to the replacement procedure in the text. Remove the anti-static pin when replacing the traverse unit. Be careful not to take too long a time when attaching it to the connector.

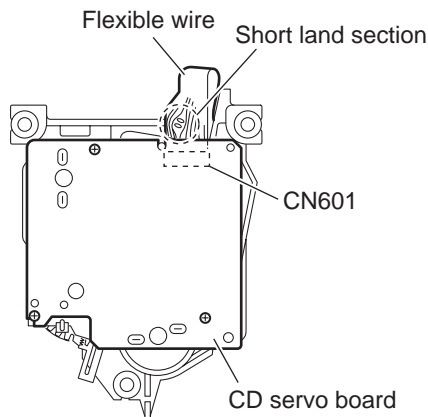
(3) Handle the flexible cable carefully as it may break when subjected to strong force.

(4) It is not possible to adjust the semi-fixed resistor that adjusts the laser power. Do not turn it.

1.8 Attention when traverse unit is decomposed

***Please refer to "Disassembly method" in the text for the CD pickup unit.**

- Apply solder to the short land sections before the flexible wire is disconnected from the connector [CN101](#) on the CD servo board. (If the flexible wire is disconnected without applying solder, the CD pickup may be destroyed by static electricity.)
- In the assembly, be sure to remove solder from the short land sections after connecting the flexible wire.



1.9 Important for laser products

1. CLASS 1 LASER PRODUCT

2. DANGER : Invisible laser radiation when open and interlock failed or defeated. Avoid direct exposure to beam.

3. CAUTION : There are no serviceable parts inside the Laser Unit. Do not disassemble the Laser Unit. Replace the complete Laser Unit if it malfunctions.

4. CAUTION : The compact disc player uses invisible laser radiation and is equipped with safety switches which prevent emission of radiation when the drawer is open and the safety interlocks have failed or are defeated. It is dangerous to defeat the safety switches.

5. CAUTION : If safety switches malfunction, the laser is able to function.

6. CAUTION : Use of controls, adjustments or performance of procedures other than those specified herein may result in hazardous radiation exposure.



CAUTION Please use enough caution not to see the beam directly or touch it in case of an adjustment or operation check.

VARNING : Osynlig laserstrålning är denna del är öppnad och spårren är urkopplad. Betrakta ej strålen.

VARO : Avattaessa ja suojalukitus ohitettaessa olet alttiina näkymättömälle lasersäteilylle. Älä katso säteeseen.

ADVARSEL : Usynlig laserstrålning ved åbning , når sikkerhedsafbrydere er ude af funktion. Undgå udsættelse for stråling.

ADVARSEL : Usynlig laserstrålning ved åbning, når sikkerhedsbryteren er avslott. unngå utsettelse for stråling.

SECTION 2
SPECIFIC SERVICE INSTRUCTIONS

This service manual does not describe SPECIFIC SERVICE INSTRUCTIONS.

SECTION 3 DISASSEMBLY

3.1 Main body section

3.1.1 Removing the rear cover

(See Figs.1 and 2)

- (1) From the back side of the main body, remove the fifteen screws **A** attaching the rear cover. (See Fig.1.)
- (2) Remove the two screws **B** attaching the fan cover. (See Fig.1.)
- (3) Remove the rear cover and disconnect the power cord from the connector **CN900** on the power supply board of the main body. (See Fig.2.)
- (4) Remove the strain relief in the direction of the arrow. (See Fig.2.)

Reference :

Before attaching the rear cover, pass the power cord through the guide hole **a** on the rear cover. (See Fig.2.)

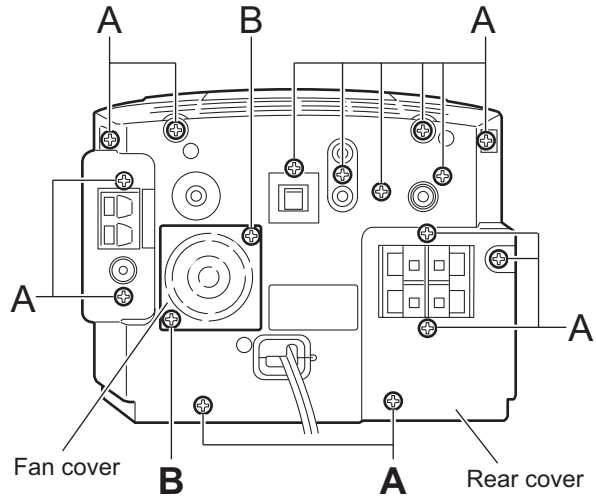


Fig.1

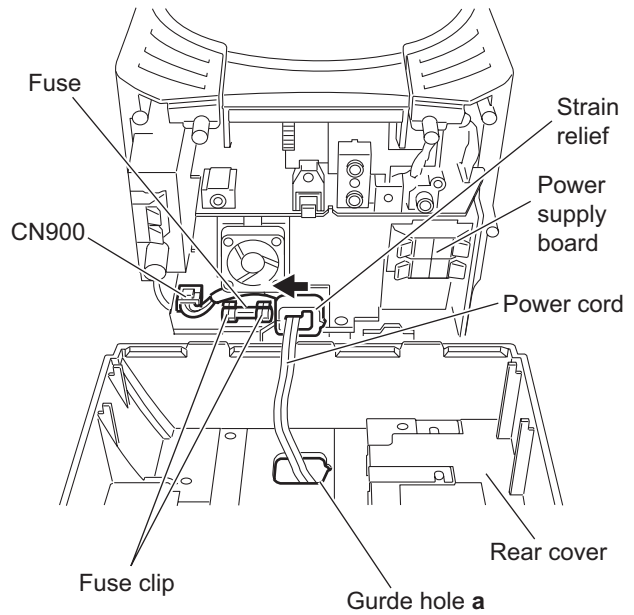


Fig.2

3.1.2 Removing the bottom case (A) (See Fig.3)

- Prior to performing the following procedures, remove the rear cover.
 - (1) From the bottom side of the main body, remove five screws **C** and screw **D** attaching the bottom case (A).
 - (2) Remove the bottom case (A) in the direction of the arrow while lifting the rear section of the bottom case (A).

3.1.3 Removing the bottom case (B) (See Fig.3)

- (1) From the bottom side of the main body, remove the two screws **E** attaching the bottom case (B).
- (2) Release the claw **b** of the bottom case (B) and remove the bottom case in the direction of the arrow.

Note :

When turning the main body upside down to remove the bottom case (A) and the bottom case (B), place a cushion beneath the main body so as not to scratch the top case assembly, volume control knob or other parts.

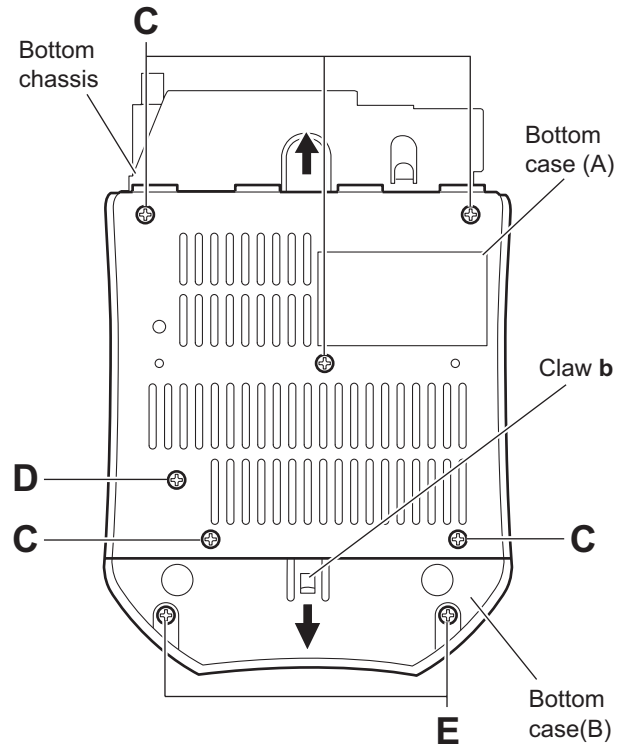


Fig.3

3.1.4 Removing the top case assembly (See Figs.4 to 7)

- Prior to performing the following procedures, remove the rear cover and bottom case (B).
 - (1) From the front side of the main body, remove the two screws **F** attaching the top case assembly. (See Fig.4.)
 - (2) Disconnect the card wires from the connectors **CN721** and **CN741** on the micon board. (See Fig.4.)
 - (3) From the back side of the main body, disconnect the wire from the connector **CN451** on the function board. (See Fig.5.)
 - (4) Remove the top case assembly while lifting it in the direction of the arrow. (See Fig.5.)
 - (5) From the inside of the top case assembly, disconnect the card wire from the connector **CN651** on the CD servo board. (See Figs.6 and 7.)

Reference :

Reassembly of the top case assembly.

- Before reattaching the top case assembly to the main body, connect the card wire to the connector **CN651** on the CD servo board and hang it to the holder section **c** of the CD mechanism assembly. (See Figs. 6 and 7)
- Let the card wire to be connected across the connectors **CN721** and **CN741** go through the slit **d** on the top case assembly. (See Fig. 7.)

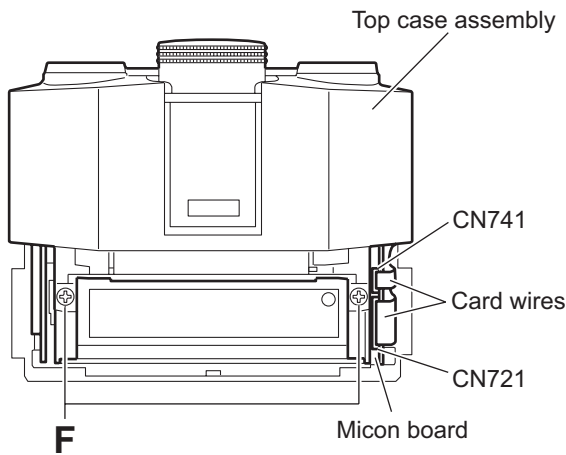


Fig.4

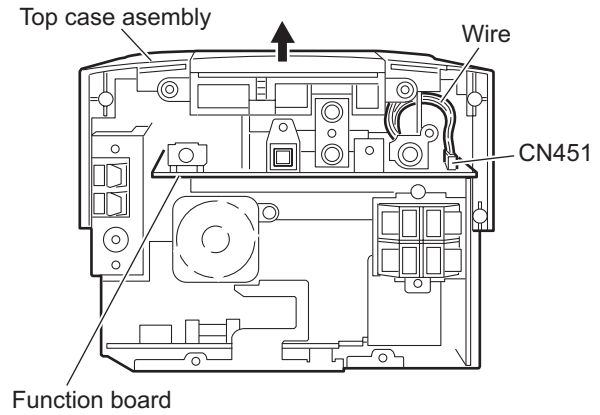


Fig.5

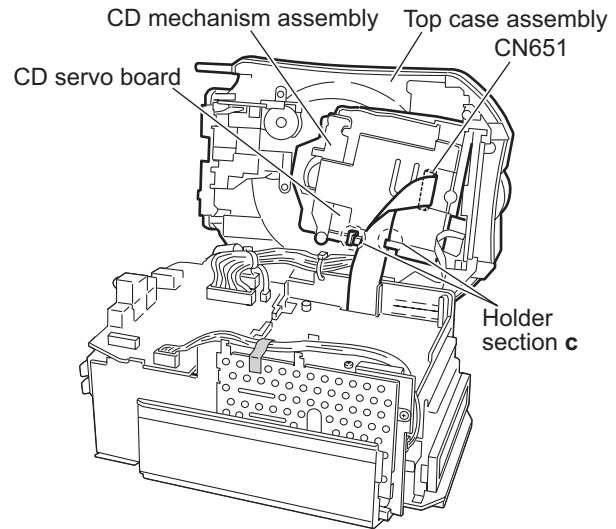


Fig.6

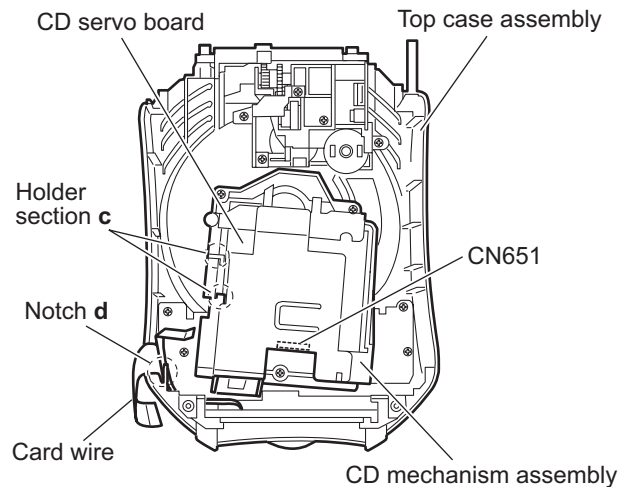


Fig.7

3.1.5 Removing the tuner (See Fig.8)

- Prior to performing the following procedures, remove the rear cover, bottom case (B) and top case assembly.
 - (1) From the right side of the main body, disconnect the card wire from the connector [CN1](#) on the tuner.

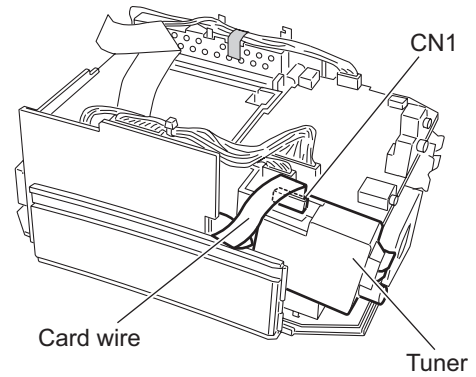


Fig.8

3.1.6 Removing the function board (See Fig.9)

- Prior to performing the following procedures, remove the rear cover, bottom case (B) and top case assembly.
 - (1) From the top side of the main body, disconnect the fan motor wire from the connector [CN942](#) on the function board.
 - (2) Disconnect the wires from the connectors [CN893](#) and [CN895](#) on the function board.
 - (3) Remove the spacer and tie band fixing the wires.
 - (4) Disconnect the wire from the connector [CN301](#) on the digital amplifier board.
 - (5) Remove the three screws **G** attaching the function board.
 - (6) Lift the function board in the direction of the arrow and disconnect it from the connector [CN951](#) on the digital amplifier board.

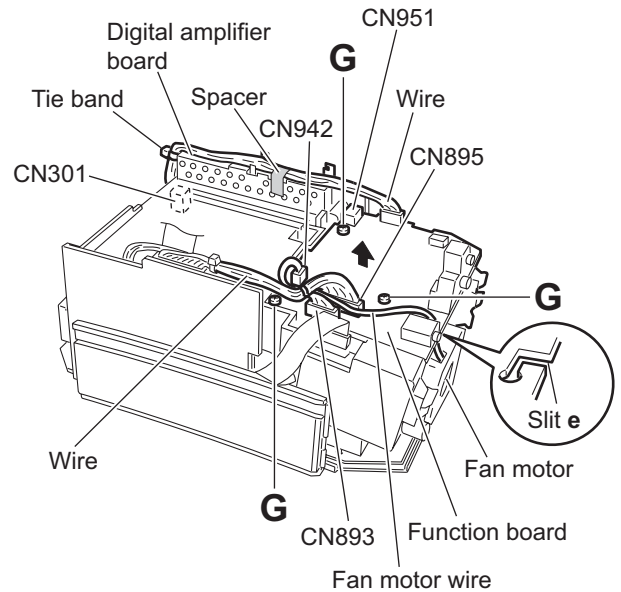


Fig.9

Reference :

When connecting the fan motor wire, put it through the slit **e** of the function board.

3.1.7 Removing the micon board (See Fig.10)

- Prior to performing the following procedures, remove the rear cover, bottom case (A), bottom case (B) and top case assembly.
 - (1) From the right side of the main body, remove the tie bands bundling the wires.
 - (2) Disconnect the wire from the connector [CN805](#) on the micon board.
 - (3) Disconnect the card wires from the connectors [CN661](#) and [CN871](#) on the micon board.
 - (4) Disconnect the wire from the connector [CN893](#) on the function board.
 - (5) Remove the two screws **H** and two screws **J** attaching the micon board.
 - (6) Pull the micon board toward this side, disconnect the connectors [CN801](#) and [CN802](#) on the micon board.

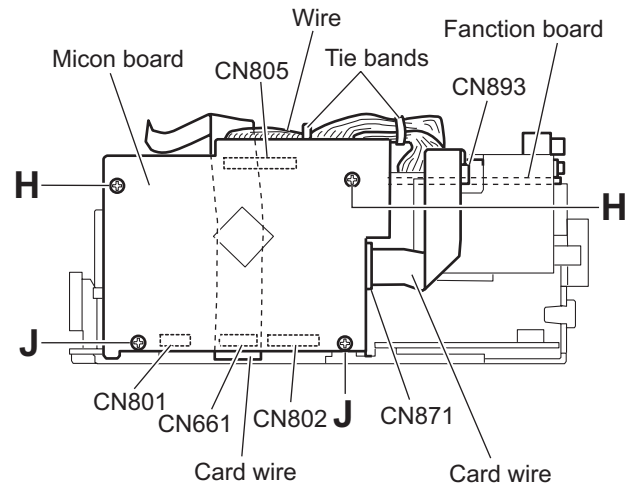


Fig.10

Reference :

- After connecting the card wire to the connector [CN661](#) on the micon board, bend it as was done before disassembly and insert it inside the center chassis.
- After connecting the wires to the connectors ([CN805](#), [CN893](#)) on the micon and function boards, bundle the wires with the tie bands.

3.1.8 Removing the digital amplifier board (See Fig.11)

- Prior to performing the following procedures, remove the rear cover, bottom case (A), bottom case (B) and top case assembly.
 - (1) From the left side of the main body, disconnect the wire from the connector [CN301](#) on the digital amplifier board.
 - (2) Remove the spacer and tie band fixing the wire.
 - (3) Remove the two screws **K**, two screws **L** and screw **L'** attaching the digital amplifier board.
 - (4) Pull the digital amplifier board toward this side, disconnect the connectors [CN961](#) and [CN981](#) on the digital amplifier board.

Reference :

- When attaching the screw **L'**, attach the earth wire together it.
- After connecting the wire, fix the wire with the spacer and tie band.

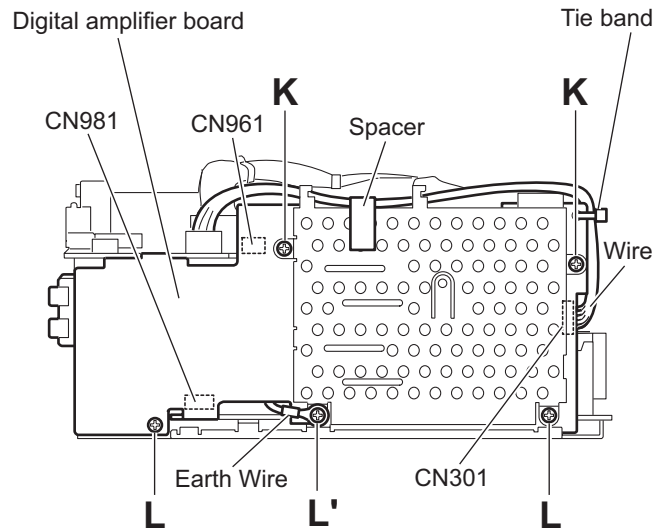


Fig.11

3.1.9 Removing the power supply board (See Figs.12 to 14)

- Prior to performing the following procedures, remove the rear cover, bottom case (A), bottom case (B), top case assembly, tuner, function board, micon board and digital amplifier board.
 - (1) From the top side of the main body, remove the two screws **M** attaching the center chassis. (See Fig.12.)
 - (2) From the bottom side of the main body, remove the two screws **N** attaching the power supply board. (See Fig.13.)
 - (3) Disconnect the card wire from the connector [CN903](#) on the power supply board. (See Fig.14.)
 - (4) Remove the three screws **P** attaching the power supply board. (See Fig.14.)
 - (5) Remove the barrier (E) and barrier (F) under the power supply board. (See Fig.14.)

Reference :

- Before attaching the each parts, pass the card wire through the holes **f** on the center chassis.
- After attaching the center chassis, put the earth wire through the slit **g** of the power supply board and sections **h** of the center chassis.

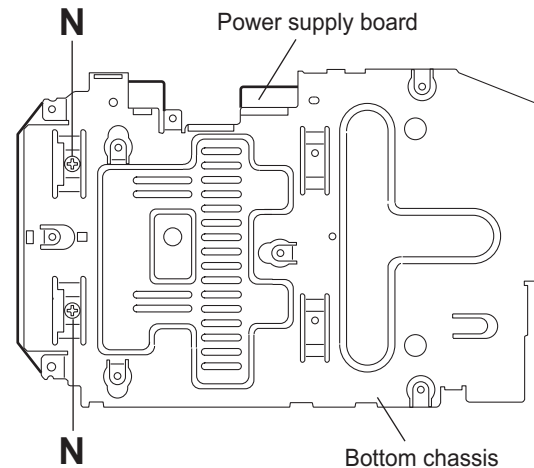


Fig.13

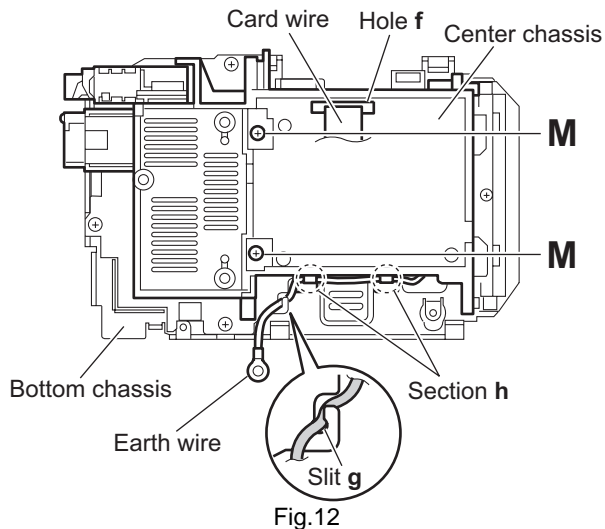


Fig.12

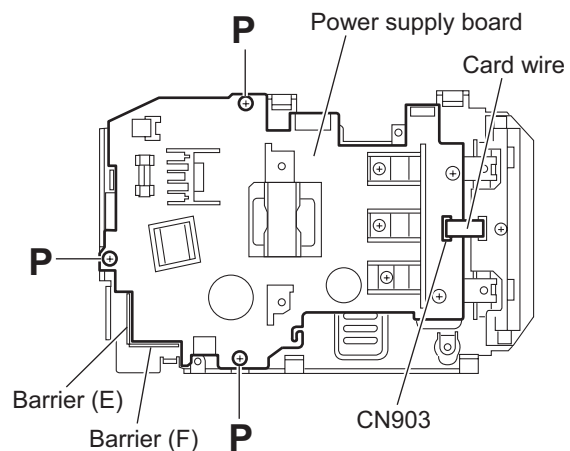
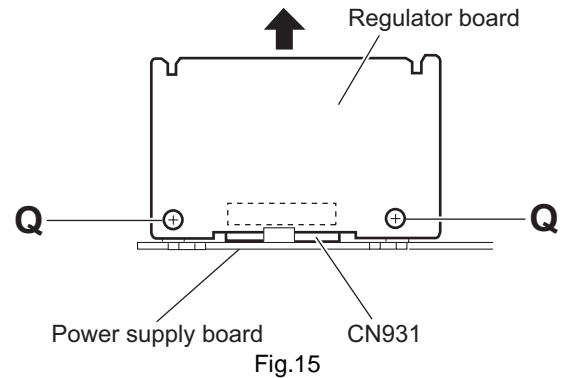


Fig.14

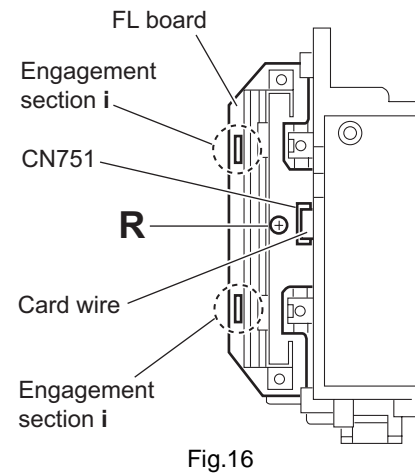
3.1.10 Removing the regulator board (See Fig.15)

- Prior to performing the following procedures, remove the rear cover, bottom case (A), bottom case (B), top case assembly, tuner, function board, micon board, digital amplifier board and power supply board.
 - (1) From the side of the power supply board, remove the two screws **Q** attaching the regulator board.
 - (2) Disconnect the regulator board from the connector [CN931](#) on the power supply board in the direction of the arrow.



3.1.11 Removing the FL board (See Fig.16)

- Prior to performing the following procedures, remove the rear cover, bottom case (B) and top case assembly.
 - (1) From the top side of the main body, disconnect the card wire from the connector [CN751](#) on the FL board.
 - (2) Remove the screw **R** attaching the FL board.
 - (3) Release the two engagement sections **i** of the bottom chassis, take out the FL board.



3.2 Top case assembly section

- Prior to performing the following procedures, remove the top case assembly.

Note :

Be careful not to scratch the top case, volume control knob or other parts.

3.2.1 Removing the CD mechanism assembly (See Fig.17)

- (1) From the inside of the top case assembly, remove the three screws **S** attaching the CD mechanism assembly.
- (2) Take out the CD mechanism assembly from the top case assembly.

3.2.2 Removing the CD door mechanism assembly (See Figs.17 and 18)

- (1) Remove the cover in the direction of the arrow. (See Fig.17.)
- (2) From the inside of the top case assembly, disconnect the wire from the connector [CN461](#) on the CD door switch board. (See Fig.17.)
- (3) Remove the three screws **T** attaching the gear bracket and take out the gear bracket. (See Fig.17.)
- (4) Remove the two screws **U** attaching the CD door mechanism assembly and take out the CD door mechanism assembly. (See Fig.17.)

Reference :

Before attaching the CD door mechanism assembly, put the wire through the two slits **j** of the CD door mechanism assembly and then attach the two screws **U**. (See Figs.17 and 18.)

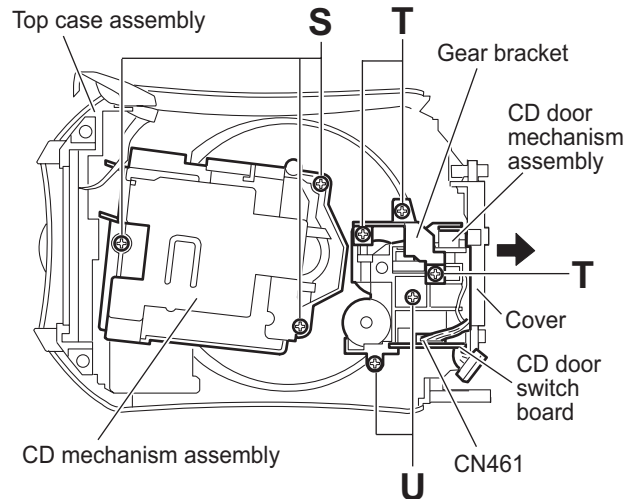


Fig.17

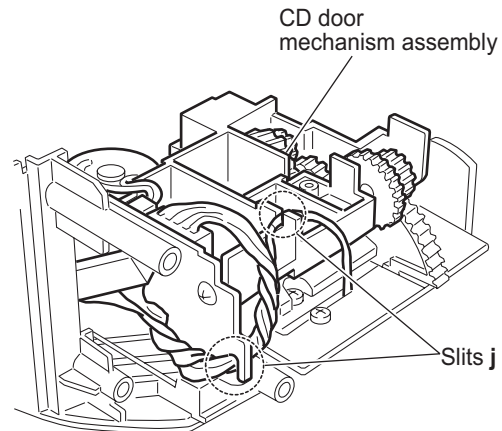


Fig.18

3.2.3 Removing the CD door switch board (See Fig.19)

- Prior to performing the following procedures, remove the CD door mechanism assembly.
 - Disconnect the wire of the CD door motor from the connector **CN452** on the CD door switch board.
 - Remove the screw **V** attaching the CD door switch board.
 - Release the CD door switch board from the projection **k** and then remove it from the engagement section **m** in the direction of the arrow.

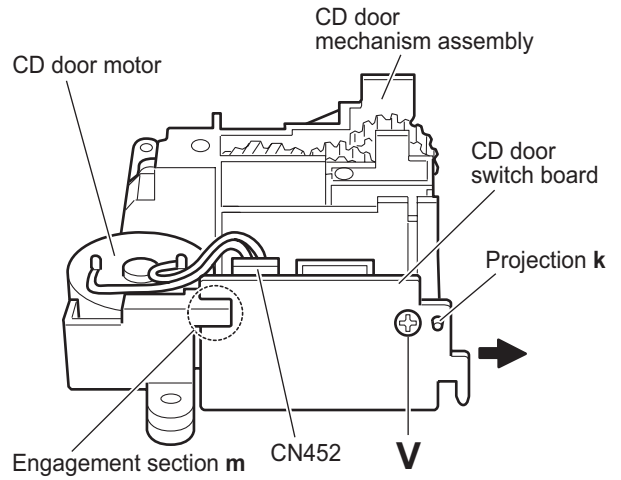


Fig.19

3.2.4 Removing the CD door motor (See Figs.19 and 20)

- Prior to performing the following procedures, remove the CD door mechanism assembly.
 - Disconnect the wire of the CD door motor from the connector **CN452** on the CD door switch board. (See Fig.19.)
 - Turn over the CD door mechanism assembly and remove the belt. (See Fig.20.)
 - Remove the two screws **W** attaching the CD door motor.

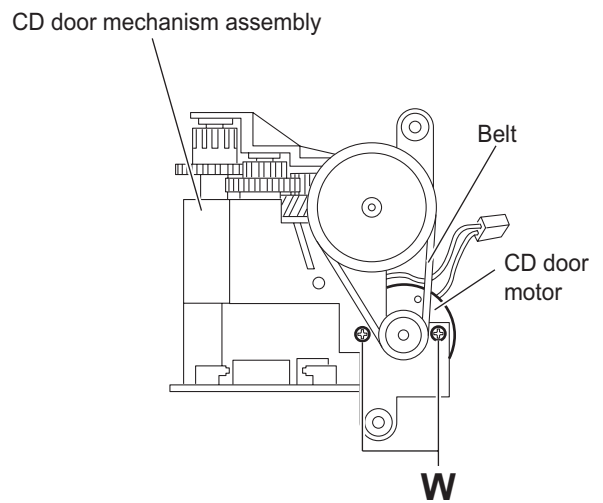


Fig.20

Note :

Take care not to attach grease of the gears on the belt.

3.2.5 Removing the CD door assembly (See Fig.21)

- Prior to performing the following procedures, remove the CD mechanism assembly and CD door mechanism assembly.
 - From the inside of the top case assembly, remove the boss **p** of the CD door assembly while extending the section **n** of the top case assembly in the direction of the arrow.
 - Remove the boss **r** of the CD door assembly while extending the section **q** of the top case assembly in the direction of the arrow.

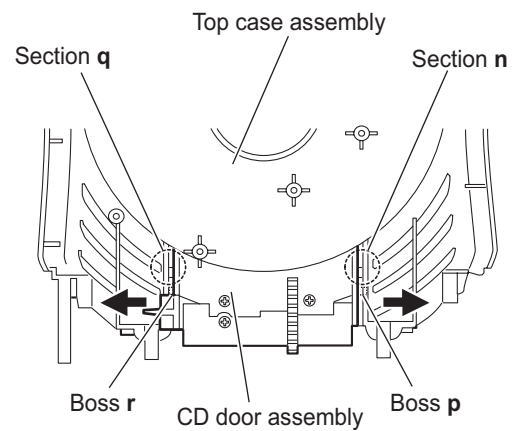


Fig.21

3.2.6 Removing the CD door LED board (See Fig.22)

- Prior to performing the following procedures, remove the CD mechanism assembly, CD door mechanism assembly and CD door assembly.
 - (1) From the reverse side of the CD door assembly, remove the five screws **X** attaching the CD door cover.
 - (2) Remove the screw **X** attaching the CD door LED board.
 - (3) After removing the CD door cover, remove the CD door LED board from the projections (**s**, **t**) and take out it in the direction of the arrow.

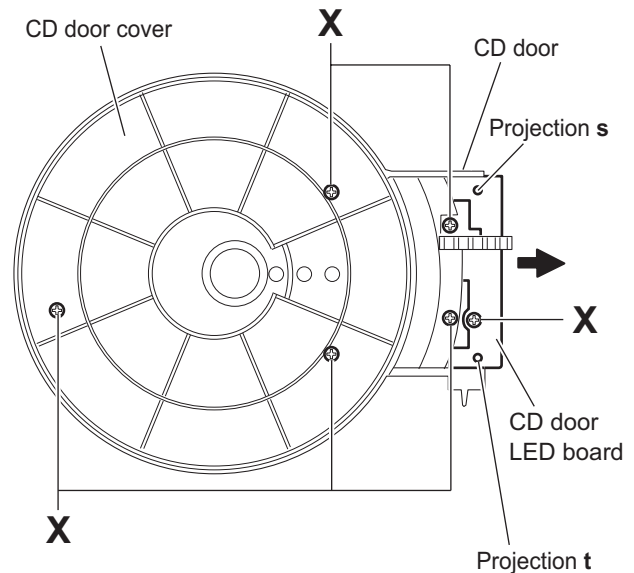


Fig.22

3.2.7 Removing the front holder assembly (See Fig.23)

- Prior to performing the following procedures, remove the CD mechanism assembly.
 - (1) From the inside of the top case assembly, remove the two screws **Y** attaching the front holder assembly.
 - (2) Take out the front holder assembly.

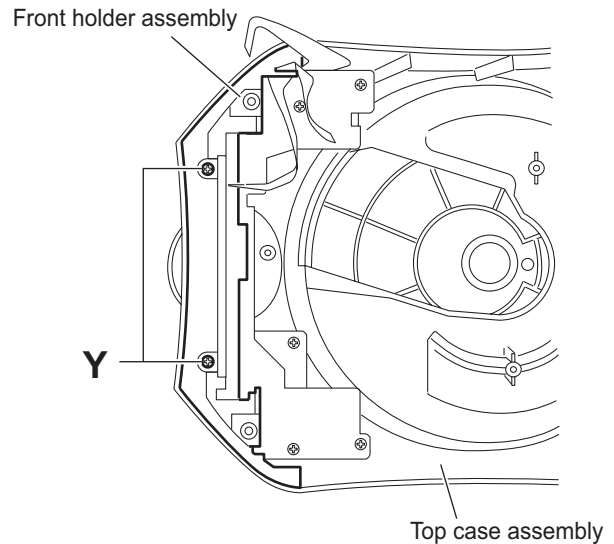


Fig.23

3.2.8 Removing the front board (See Fig.24)

- Prior to performing the following procedures, remove the CD mechanism assembly and front holder assembly.
 - (1) From the forward side of the front holder assembly, remove the three screws **Z** attaching the front board.

Reference :

- Remove the card wire from the connector [CN731](#) on the front board as required.
- Before attaching the front board, pass the card wire through the hole **u** on the front holder assembly.

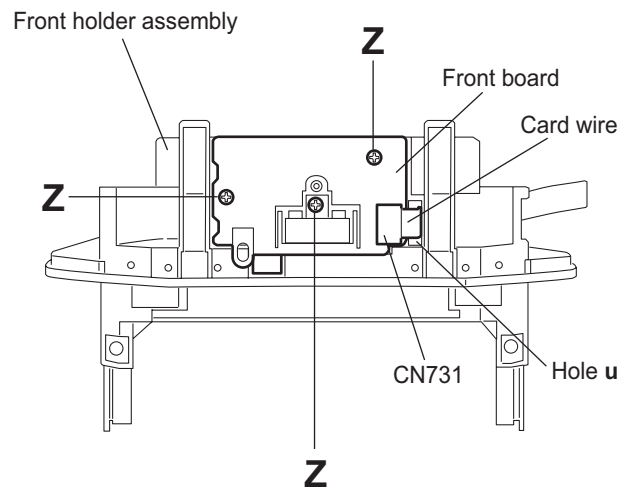


Fig.24

3.2.9 Removing the volume board and LED board (See Figs.25 to 29)

- Prior to performing the following procedures, remove the CD mechanism assembly and front holder assembly.
 - (1) From the top side of the top case assembly, pull out the volume and function knobs. (See Fig.25.)
 - (2) From the inside of the top case assembly, remove the three screws **AA** and screw **AA'** attaching the volume board. (See Fig.26.)

Reference :

When attaching the screw **AA'**, attach the barrier (D) together it.

- (3) Remove the screw **AA** attaching the LED board. (See Fig.26.)
- (4) Take out the volume board together the LED board.
- (5) From the reverse side of the volume board, release the three claws **v** attaching the push button (A). (See Fig.27.)
- (6) Remove the solders from the soldered section **w** on the volume board and disconnect the parallel wire. (See Fig.27.)
- (7) Release the claw **x** of the push button (A) and remove the LED board from the engagement section **y** of the push button (A) in the direction of the arrow. (See Fig.28.)
- (8) Release the claw **z** of the button base (B) and remove the button base (B) from the volume board. (See Fig.29.)

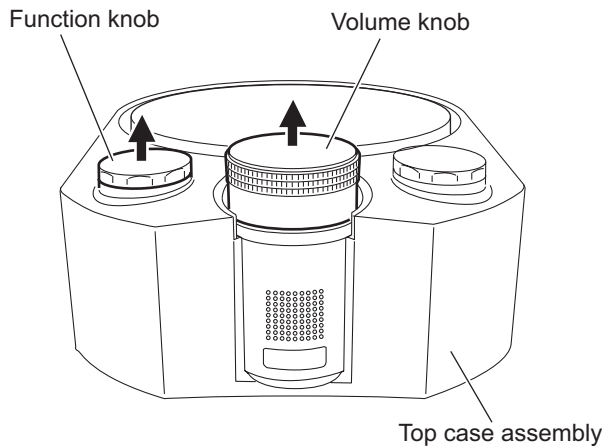


Fig.25

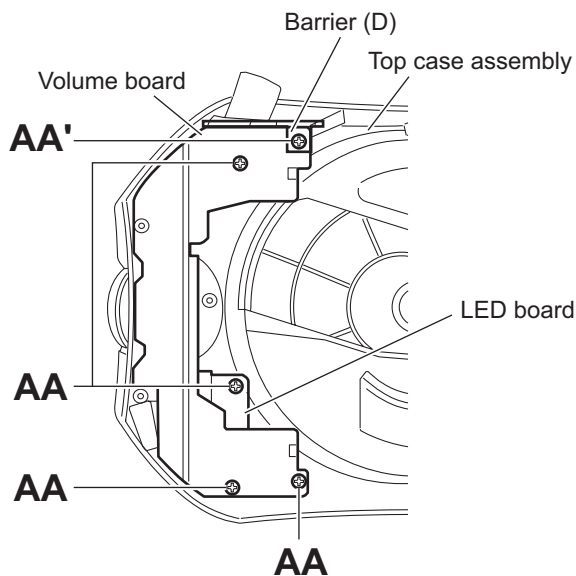


Fig.26

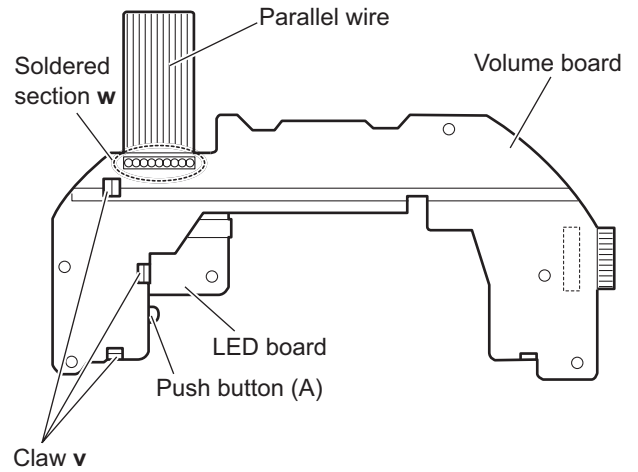


Fig.27

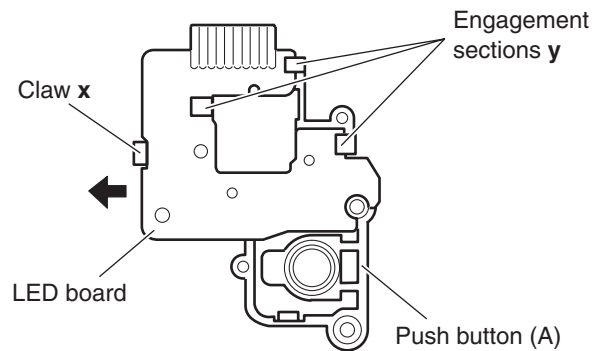


Fig.28

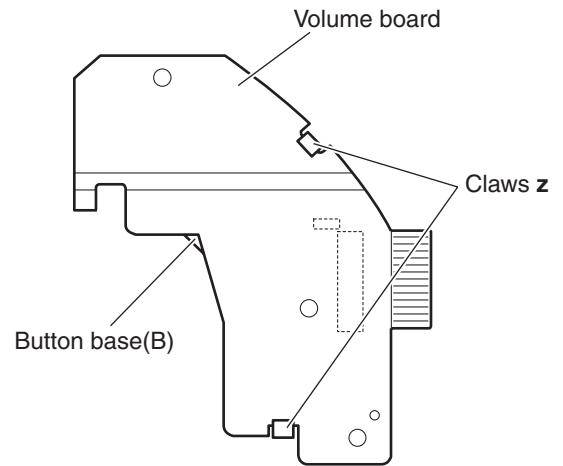


Fig.29

3.3 CD mechanism assembly section

- Prior to performing the following procedures, remove the CD mechanism assembly.

3.3.1 Removing the CD traverse mechanism assembly (See Figs.1 and 2)

- (1) From the forward side of the CD traverse mechanism assembly, release the two joints **a** attaching the pickup cover to the CD traverse mechanism assembly. (See Fig.1.)
- (2) Remove the three screws **A** attaching the CD traverse mechanism assembly to the CD mechanism holder and take out the CD traverse mechanism assembly. (See Fig.1.)

Reference :

After attaching the assist spring to the CD mechanism holder, attach the CD traverse mechanism assembly to the CD mechanism holder. (See Fig.2.)

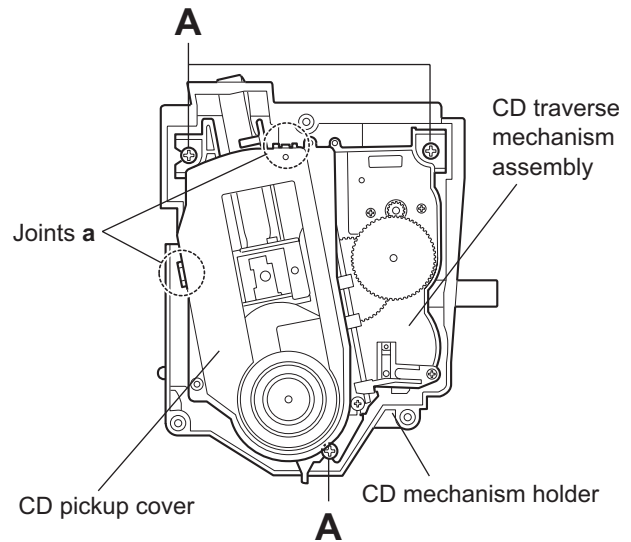


Fig.1

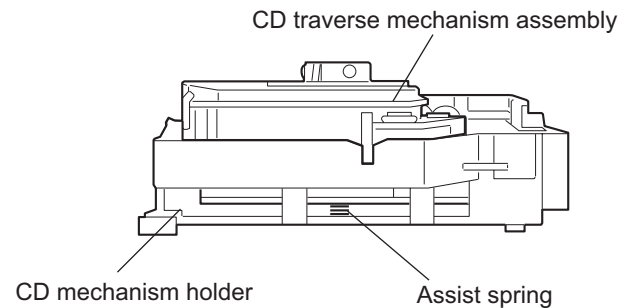


Fig.2

3.3.2 Removing the CD servo board (See Fig.3)

- Prior to performing the following procedures, remove the CD traverse mechanism assembly.

Caution :

Be sure to solder the short land section **b** on the flexible wire before disconnecting the flexible wire from connector [CN601](#) on the CD servo board.

If the flexible wire is disconnected without attaching solder, the pickup may be destroyed by static electricity.

- (1) From the reverse side of the CD traverse mechanism assembly, solder the short land section **b** on the flexible wire.
- (2) Disconnect the flexible wire from the connector [CN601](#) on the CD servo board.
- (3) Remove the three screws **B** attaching the CD servo board.
- (4) Remove the solders from the two soldered section **c** and **d**, remove the CD servo board in an upward direction.

Caution :

When attaching the CD servo board, be sure to remove the solder from the short land section **b** after connecting the flexible wire.

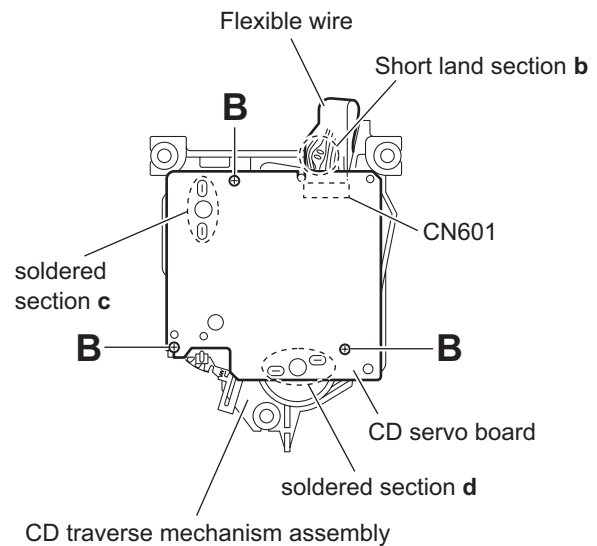


Fig.3

3.3.3 Removing the pickup assembly (See Figs.4 to 7)

- Prior to performing the following procedures, remove the CD traverse mechanism assembly.

Caution :

Be sure to solder the short land section **b** on the flexible wire before disconnecting the flexible wire from connector [CN601](#) on the CD servo board.

If the flexible wire is disconnected without attaching solder, the pickup may be destroyed by static electricity.

- (1) From the reverse side of the CD traverse mechanism assembly, solder the short land section **b** on the flexible wire. (See fig.4.)
- (2) Disconnect the flexible wire from the connector [CN601](#) on the CD servo board. (See fig.4.)
- (3) From the top side of the CD traverse mechanism assembly, turn the middle gear in the direction of the arrow so that the pickup assembly is shifted to the reverse side of the turn table assembly.
Move the pickup assembly until the section **e** of the rack plate in the lower section of the pickup assembly comes out of the chassis base assembly. (See fig.5.)
- (4) Remove the two screws **C** attaching the shaft of the pickup assembly. Next, disengage the hook **f** from the chassis base assembly and then remove the pickup assembly with the shaft. (See fig.6.)
- (5) Pull the shaft out of the pickup assembly. (See fig.7.)
- (6) Remove the two screws **D** attaching the rack plate to the pickup. (See fig.7.)
- (7) Remove the screw **E** attaching the P.S.spring to the pickup. (See fig.7.)

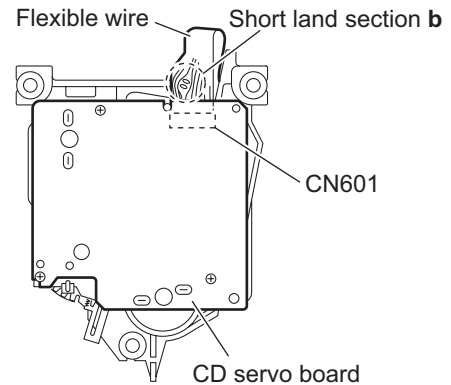


Fig.4

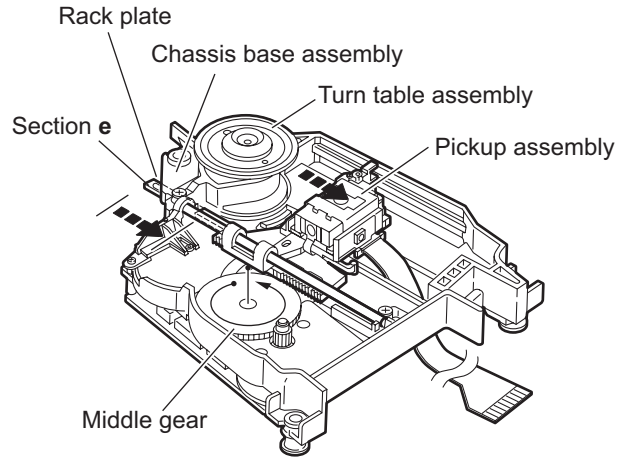


Fig.5

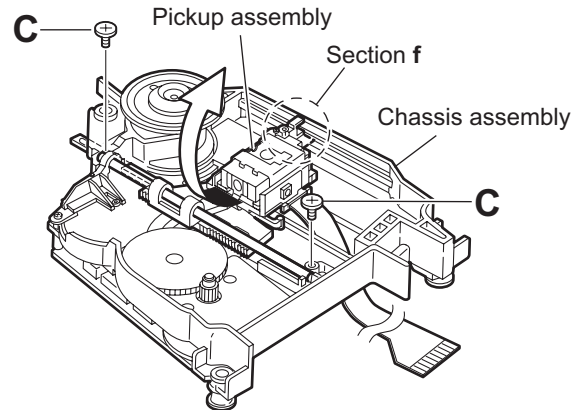


Fig.6

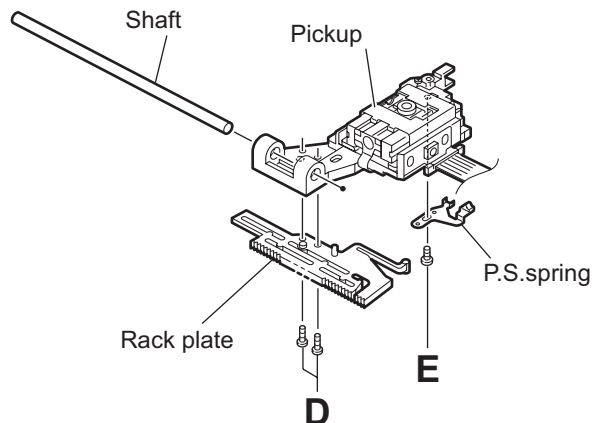


Fig.7

3.3.4 Reinstalling the pickup assembly (See Figs.8 and 9)

Reference :

Refer to the explanation of "Removing the pickup assembly" on the preceding page.

- (1) Attach the P.S.spring and rack plate to the pickup.
- (2) Insert the shaft into the pickup.
- (3) Engage the hook **f** of the pickup assembly to the chassis base assembly first, and set the section **e** of the rack plate in the opening section **g**.
Then reinstall the pickup assembly while shifting it to the turn table assembly side (inward) so that the section **h** of the rack plate is positioned as shown in Fig.9.
- (4) Move the pickup assembly to the center position and fasten the shaft with the two screws **C**. (Make sure that the section **i** of the rack plate is correctly engaged with the rack gear.)
- (5) After passing the flexible wire of the pickup through the opening section of the chassis base assembly, connect it to the connector [CN601](#) on the CD servo assembly.

Note :

When reinstalling the pickup assembly, remove the solder from the short land section **b** after connecting the flexible wire to the connector [CN601](#) on the CD servo board.

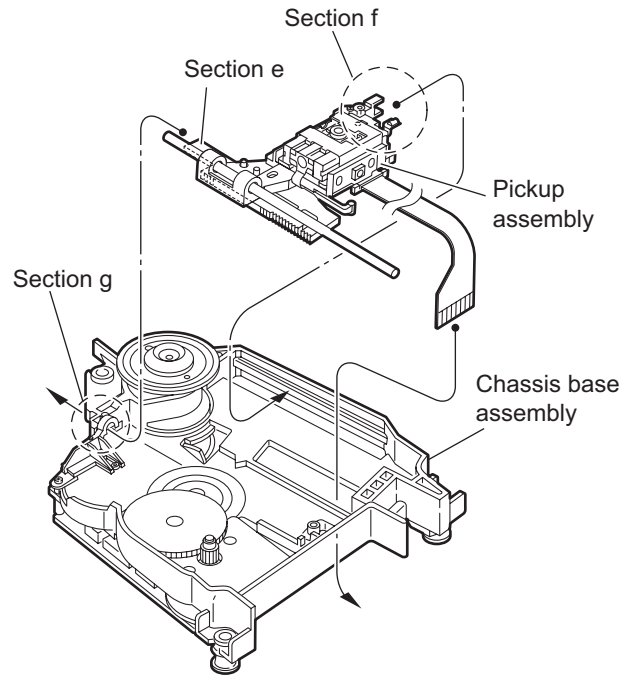


Fig.8

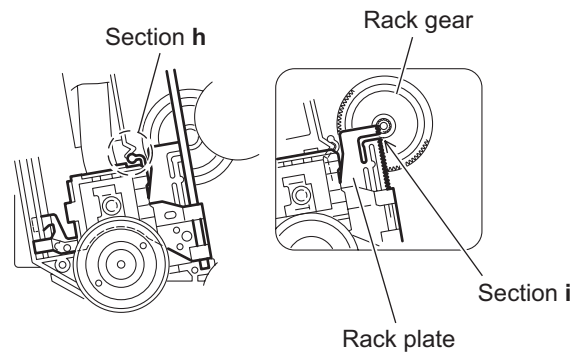


Fig.9

3.3.5 Removing the feed motor assembly (See Fig.10)

- Prior to performing the following procedures, remove the CD traverse mechanism assembly and CD servo board.
From the forward side of the CD traverse mechanism assembly, remove the two screws **F** attaching the feed motor assembly.

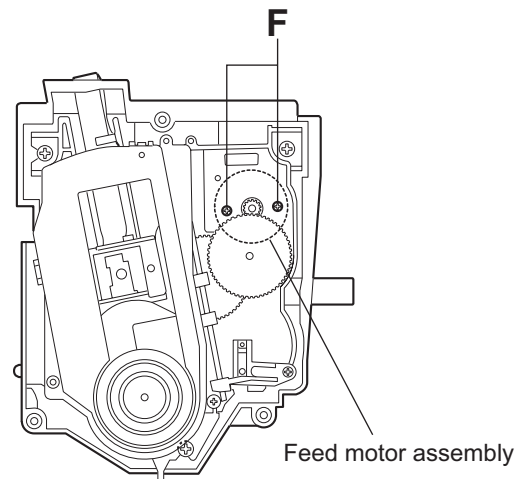


Fig.10

SECTION 4 ADJUSTMENT

4.1 Test instruments required for adjustment

- (1) Digital oscilloscope
- (2) Electric voltmeter
- (3) Test disk : CTS-1000

4.2 Adjusting and confirming contents

4.2.1 Adjustment of the CD section

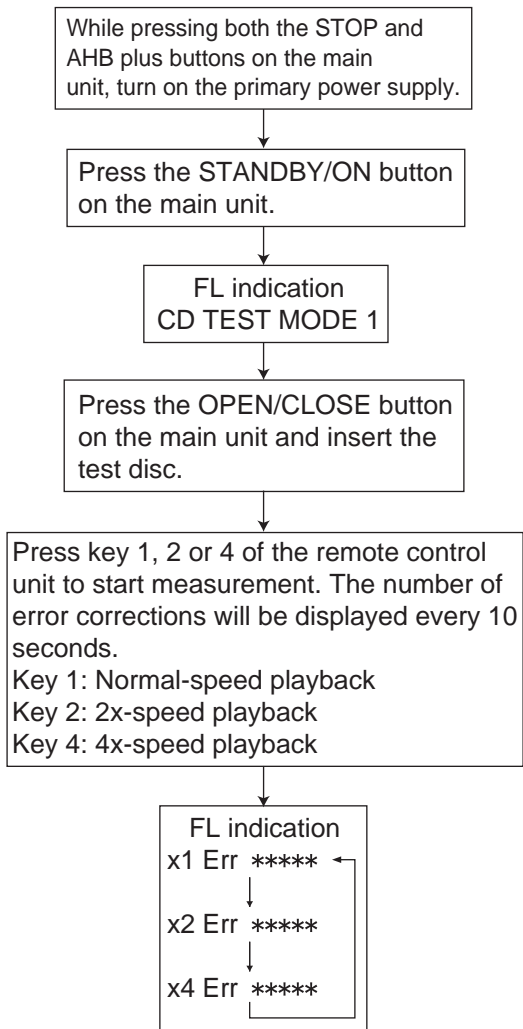
- (1) Indication of the C1 error (CD test mode 1)
- (2) Indication of the auto adjusting value (CD test mode 2)
- (3) Cancellation of the test mode

4.2.2 System test mode (FL all lighting-up check)

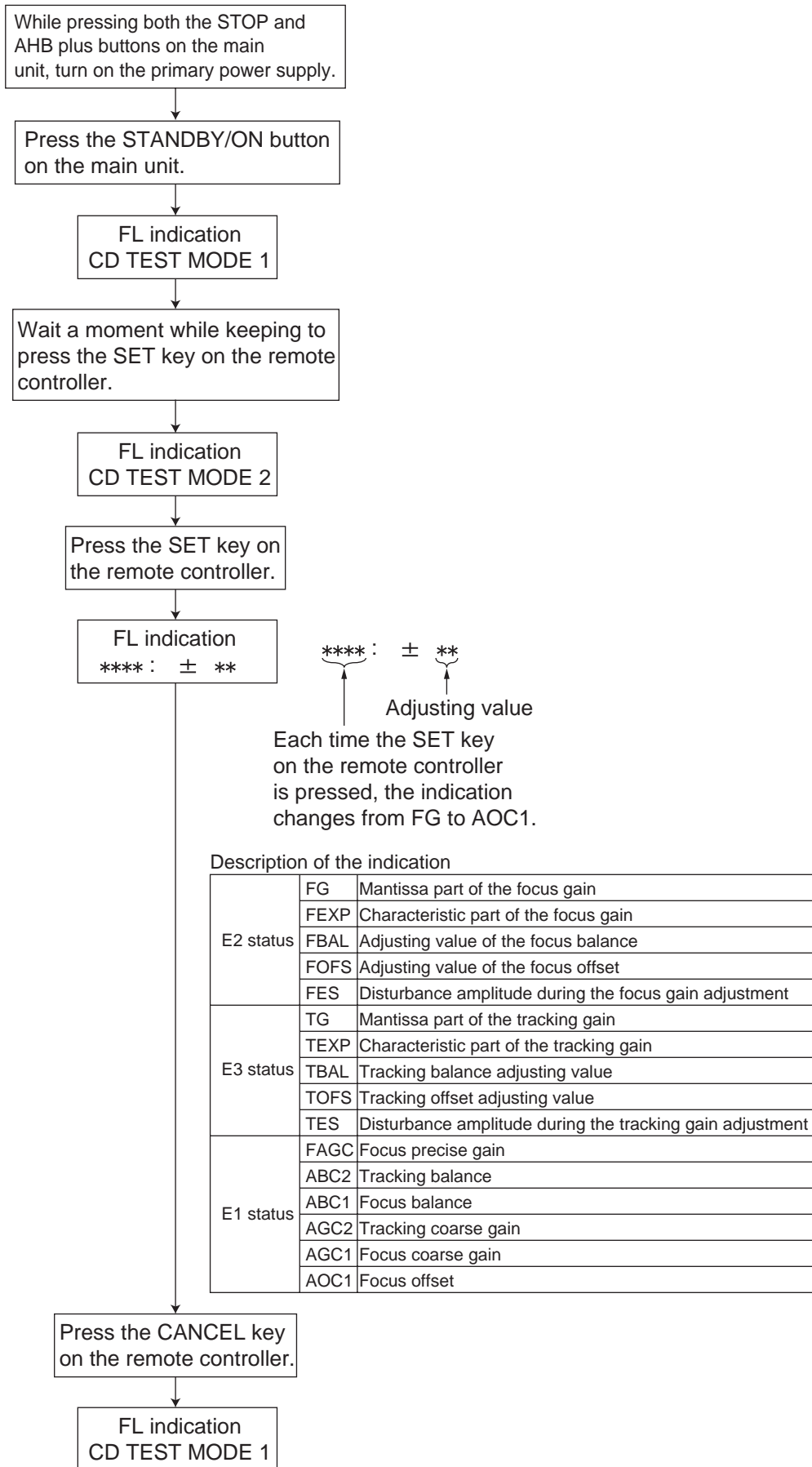
4.3 Adjusting and confirming methods

4.3.1 Adjusting and confirming of the CD section

- (1) Indication of the C1 error (CD test mode 1)



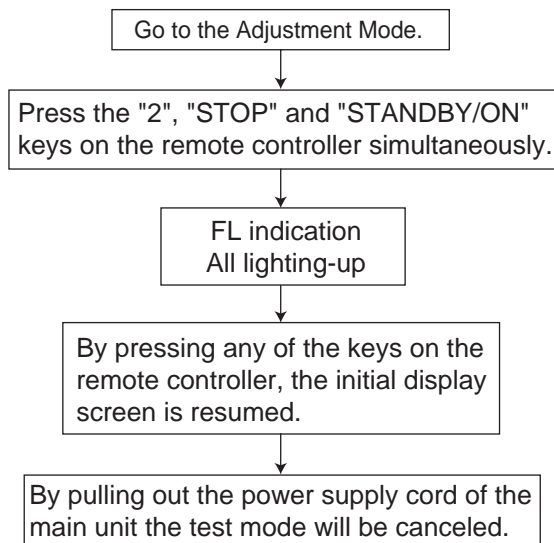
(2) Indication of the auto adjusting value (CD test mode 2)



(3) Cancellation of the test mode

To cancel the test mode, press the STANDBY/ON button on the main unit.

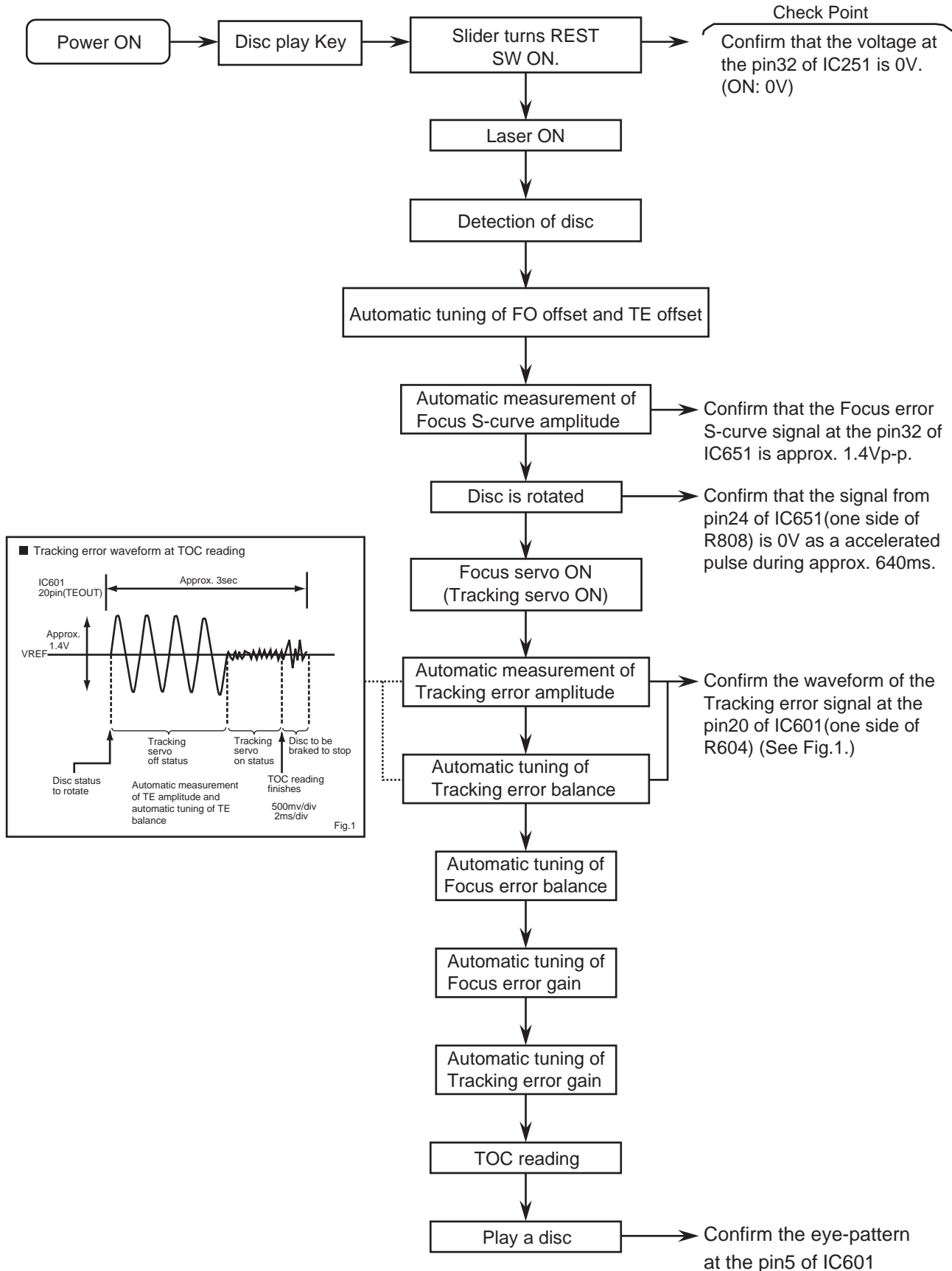
4.3.2 System test mode (FL all lighting-up check)



* In the adjustment mode a 1-second real-time increment sets the clock to gain 1 minute.

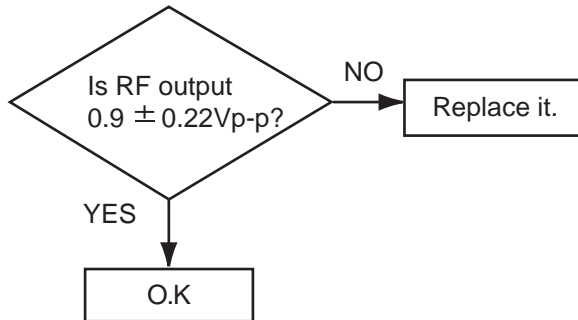
SECTION 5 TROUBLE SHOOTING

5.1 Flow of functional operation until TOC read



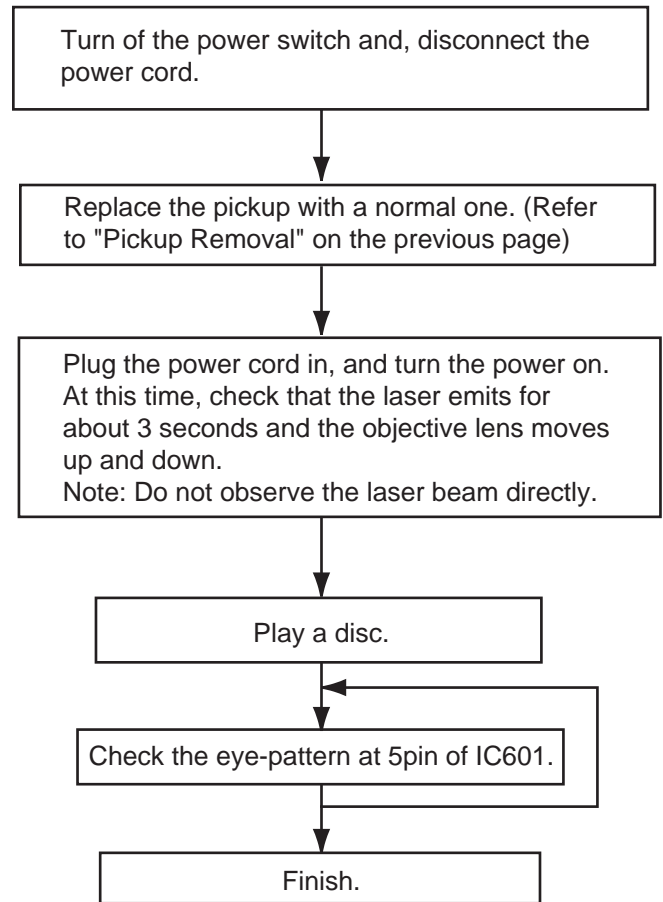
5.2 Maintenance of laser pickup

- (1) Cleaning the pickup lens
Before you replace the pickup, please try to clean the lens with a alcohol soaked cotton swab.
- (2) Life of the laser diode
When the life of the laser diode has expired, the following symptoms will appear.



- (3) The level of RF output (EFM output, amplitude of eye pattern: pin5 of IC601) will be low.
- (4) Semi-fixed resistor on the APC PC board
The semi-fixed resistor on the APC printed circuit board which is attached to the pickup is used to adjust the laser power. Since this adjustment should be performed to match the characteristics of the whole optical block, do not touch the semi-fixed resistor. If the laser power is lower than the specified value, the laser diode is almost worn out, and the laser pickup should be replaced. If the semi-fixed resistor is adjusted while the pickup is functioning normally, the laser pickup may be damaged due to excessive current.

5.3 Replacement of laser pickup





JVC

VICTOR COMPANY OF JAPAN, LIMITED
AV & MULTIMEDIA COMPANY AUDIO/VIDEO SYSTEMS CATEGORY 10-1,1chome,Ohwatari-machi,Maebashi-city,371-8543,Japan

(No.MB004)

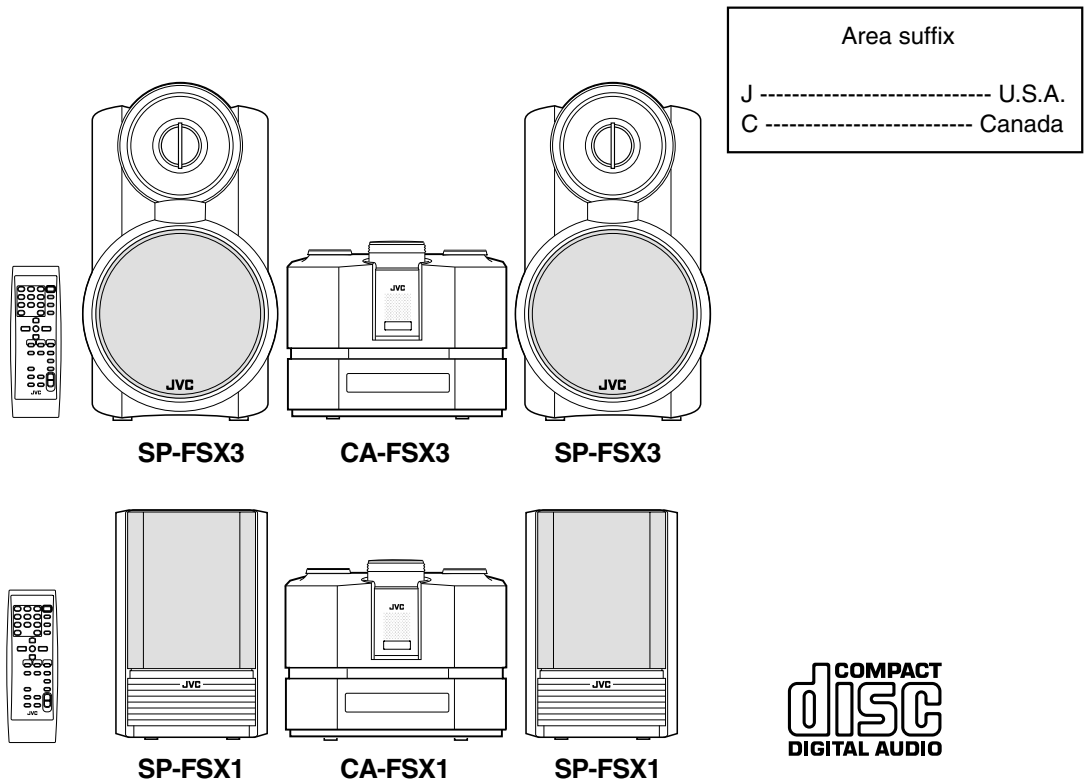
JVC

SCHEMATIC DIAGRAMS

COMPACT COMPONENT SYSTEM

FS-X3,FS-X1

CD-ROM No.SML200308



Contents

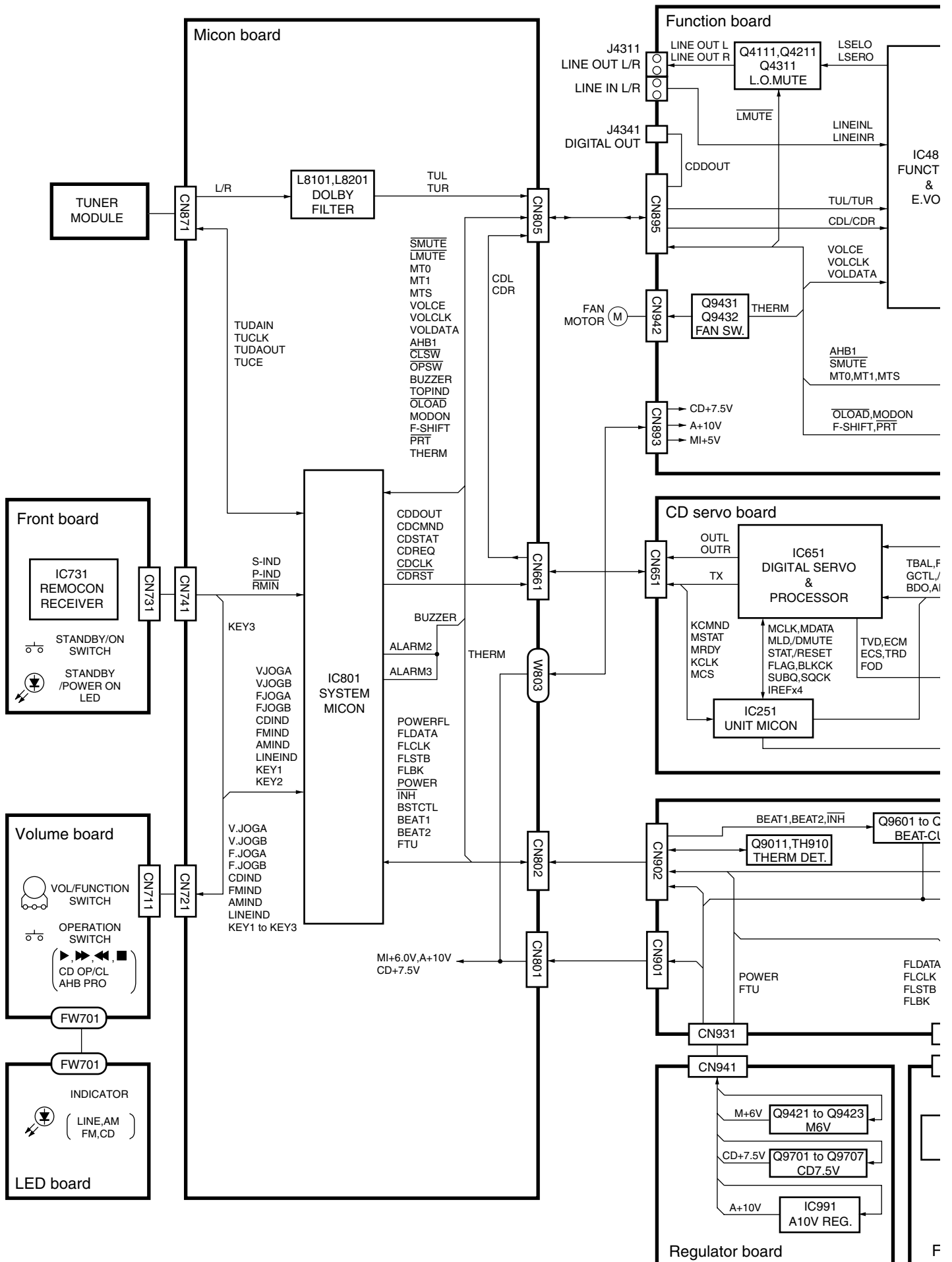
Block diagram	2-1
Standard schematic diagrams	2-3
Printed circuit boards	2-13 to 21

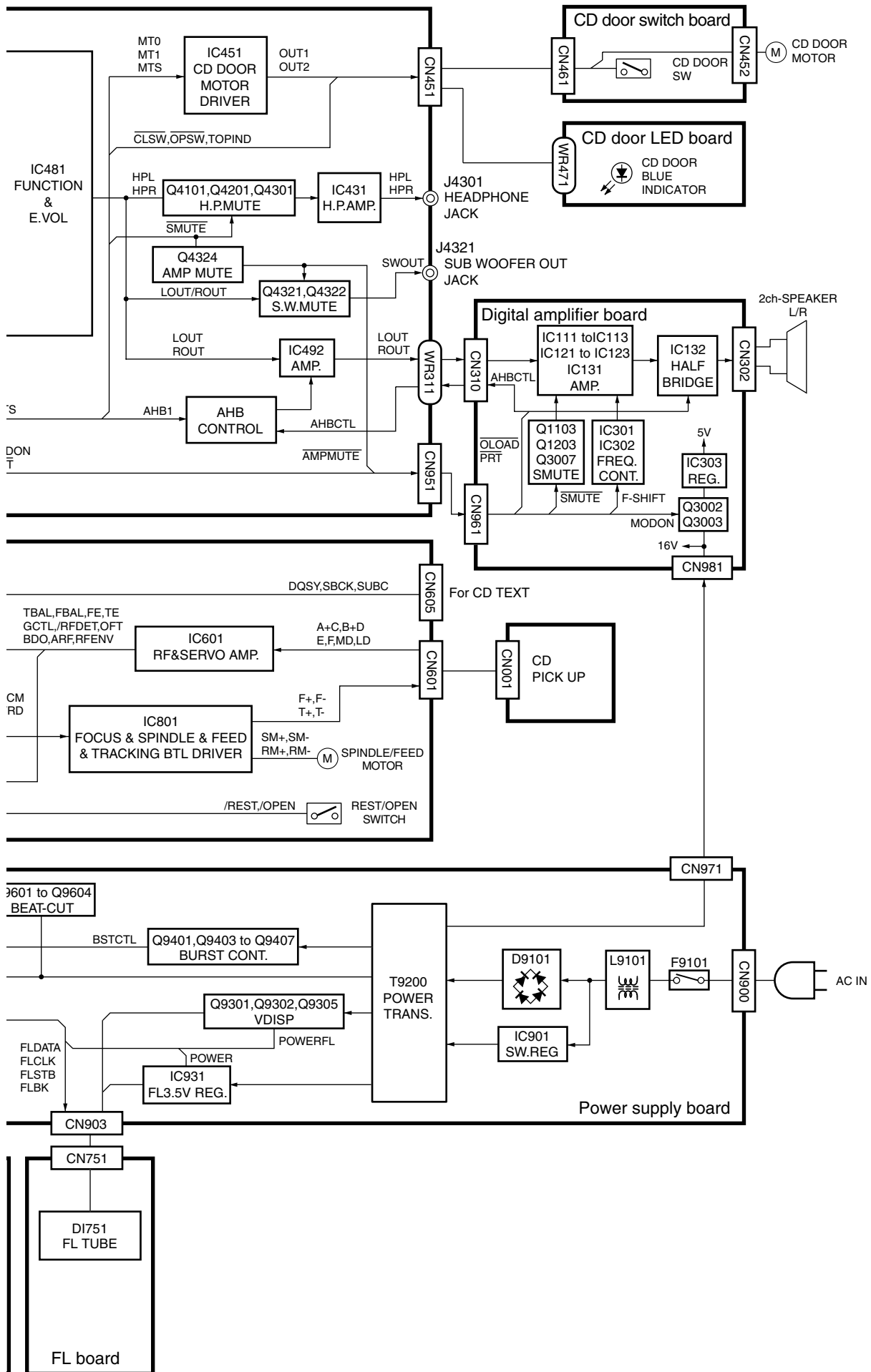
In regard with component parts appearing on the silk-screen printed side (parts side) of the PWB diagrams, the parts that are printed over with black such as the resistor (■), diode (⬤) and ICP (●) or identified by the "▲" mark nearby are critical for safety.

(This regulation does not correspond to J and C version.)

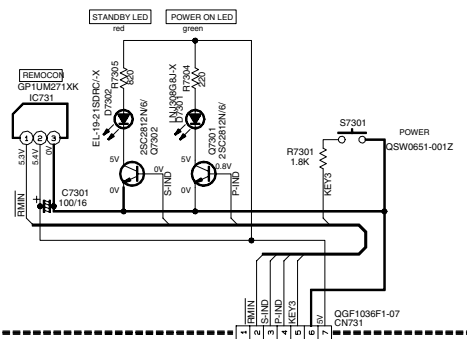
< MEMO >

Block diagram





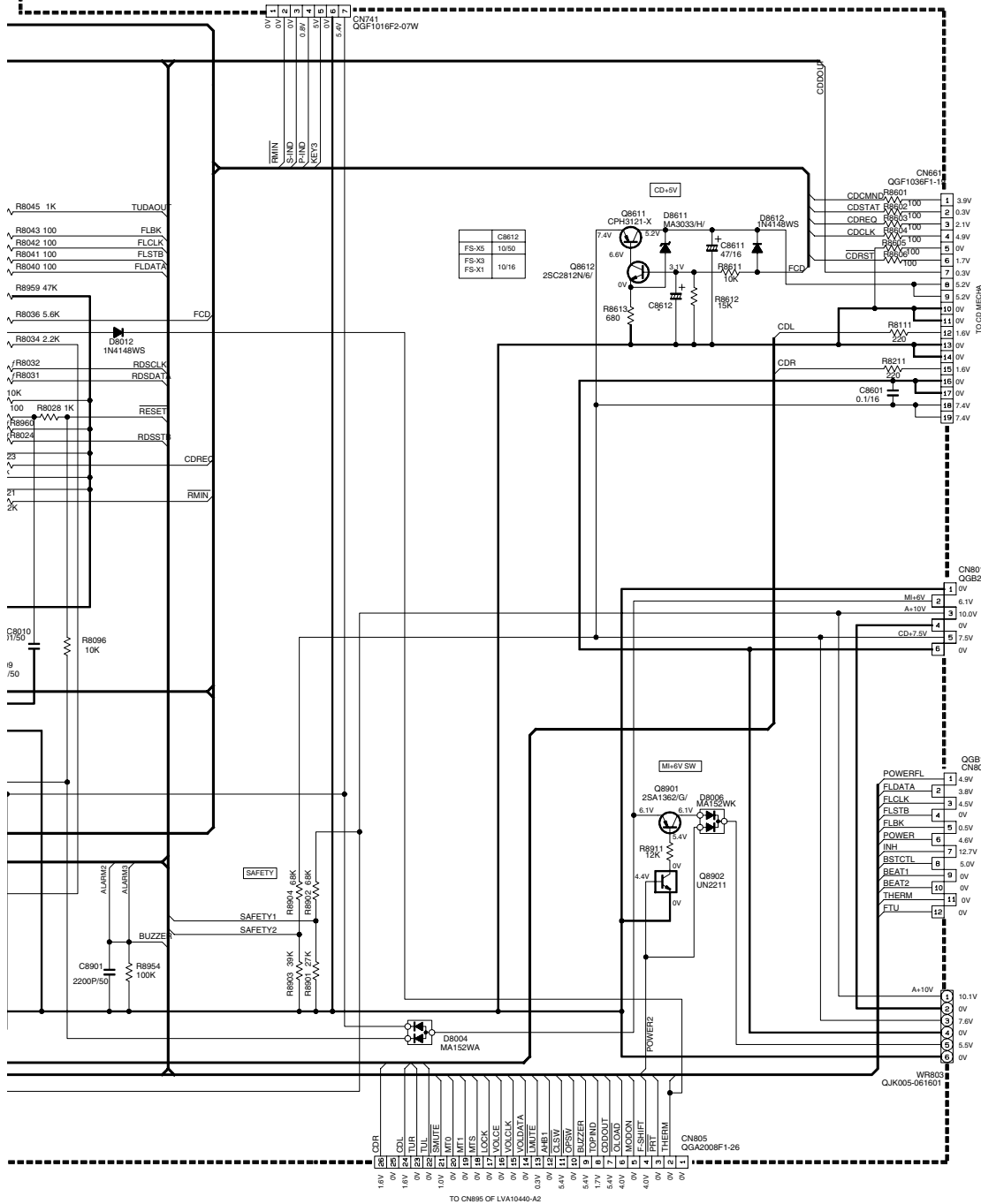
LVA10441-A6



	R1	R2
UN2213	47K	47K
UN2211	10K	10K
UN2212	22K	22K
UN2214	10K	47K

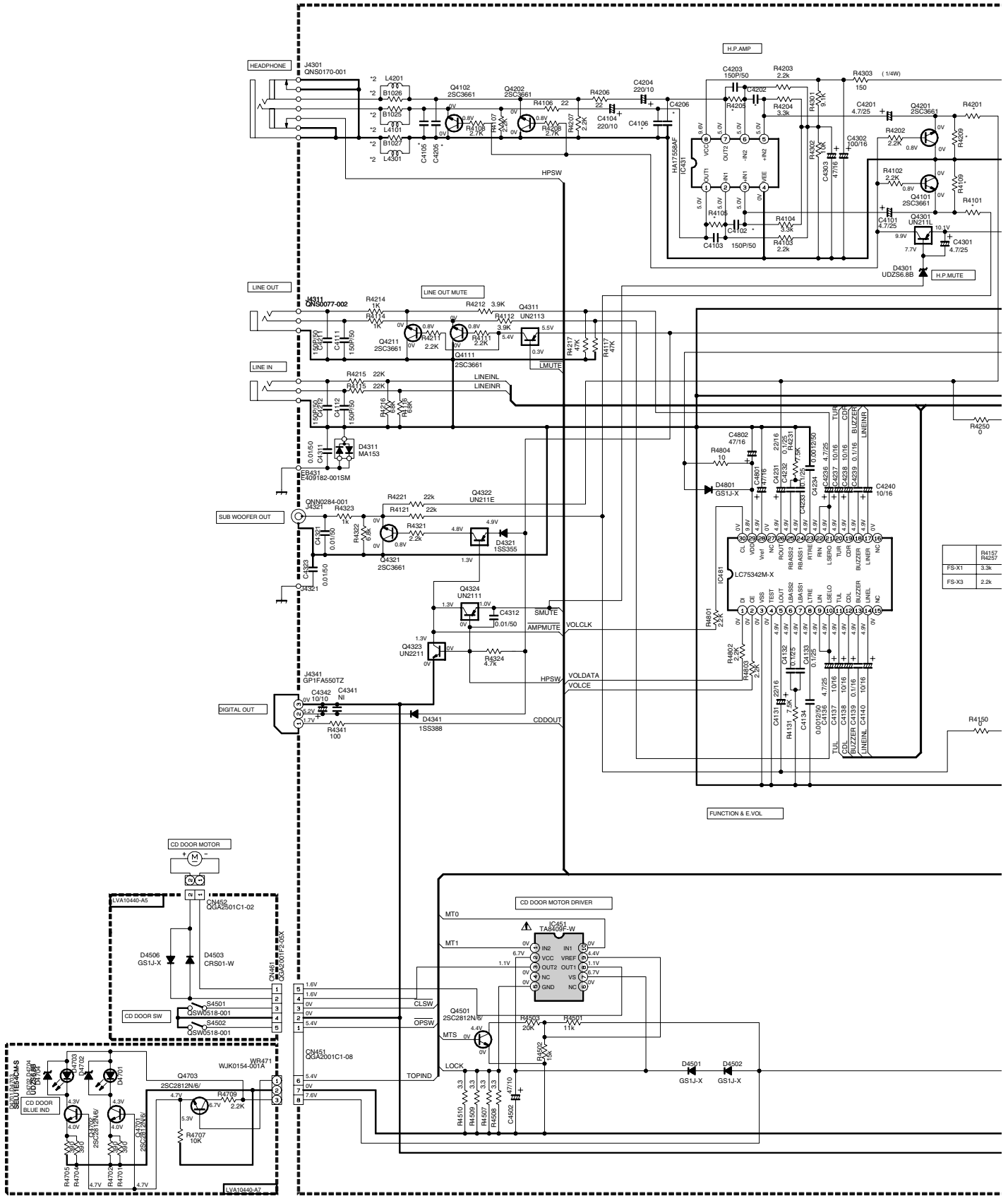
NOTES

- VOLTAGE ARE CD-MEASURED WITH A DIGITAL VOLT METER WITHOUT INPUT SIGNAL. CONDITION - CD STOP MODE.
- UNLESS OTHERWISE SPECIFIED, RESISTORS ARE 1/16W 5% METAL GLAZE RESISTOR. ALL RESISTANCE VALUES ARE IN OHM (Ω). ALL CAPACITORS ARE CERAMIC CAPACITOR OR MYLAR CAPACITOR. ALL CAPACITANCE VALUES ARE IN P (P=pF). ALL INDUCTANCE VALUES ARE IN H (H=mH). ALL CAPACITORS ARE SHOWN IN THE FORM RESET OF INH CAPACITANCE (F)/RATED VOLTAGE (V).

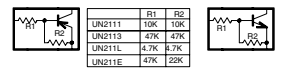


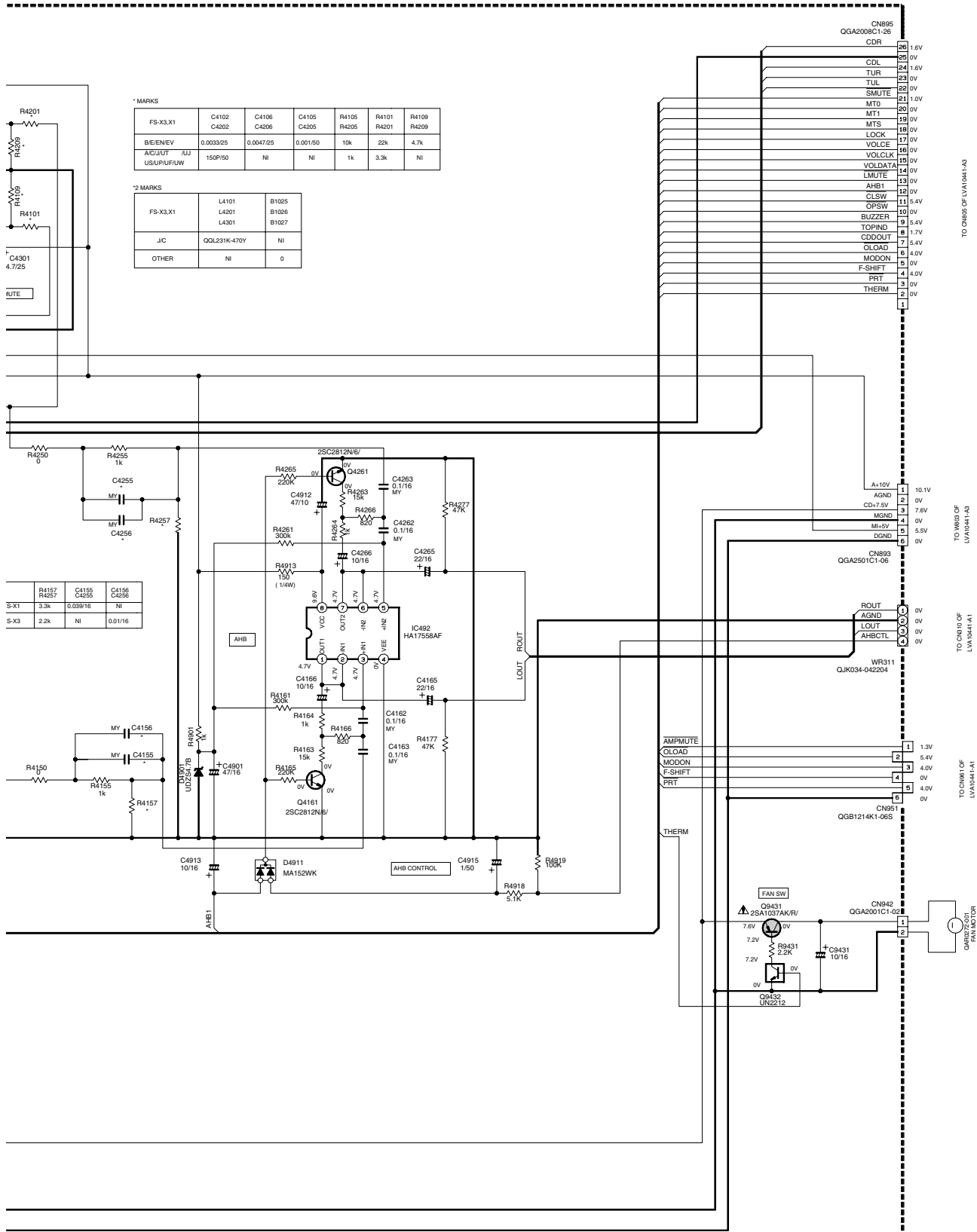
TO CN855 OF LVA10440-A2

Function / CD door switch / CD door LED / AHB control section



⚠ Parts are safety assurance parts.
When replacing those parts make
sure to use the specified one.





*1 MARKS

FS-X3,X1	C4102 C4202	C4106 C4206	C4105 C4205	R4105 R4205	R4101 R4201	R4109 R4209
B/E/ENV	0.0033/25	0.0047/25	0.001/50	10k	22k	4.7k
ACJUT	NI	150P/50	NI	1k	3.3k	NI
USUP/MFLW	NI	NI	NI	NI	NI	NI

*2 MARKS

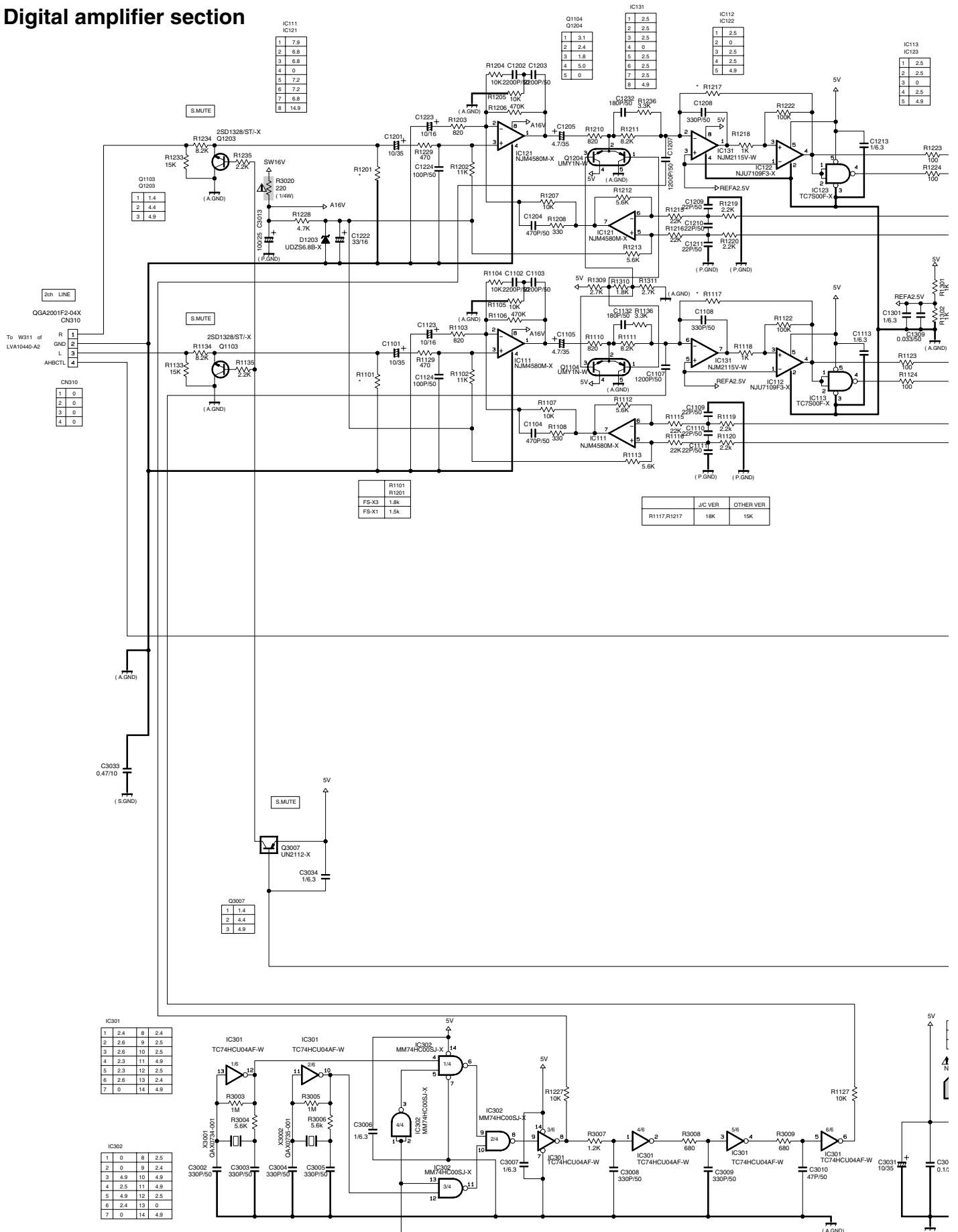
FS-X3,X1	L4101 L4201 L4301	B1025 B1026 B1027
JC	QDL231K-470Y	NI
OTHER	NI	0

R4157	C4155	C4156
S-X1 3.3k	0.039/16	NI
S-X3 2.2k	NI	0.01/16

LVA10440-A2

NOTES
 1. VOLTAGE ARE CD-MEASURED WITH A DIGITAL VOLT METER WITHOUT INPUT SIGNAL.
 CONDITION - CD STOP MODE
 2. UNLESS OTHERWISE SPECIFIED:
 RESISTORS ARE 1/16W 5% METAL GLAZE RESISTOR.
 ALL RESISTANCE VALUES ARE IN OHM (Ω).
 ALL CAPACITORS ARE CERAMIC CAPACITOR OR MYLAR CAPACITOR.
 ALL CAPACITANCE VALUES ARE IN P (P-pF).
 ALL INDUCTANCE VALUES ARE IN H (m-mH).
 ALL CAPACITORS ARE SHOWN IN THE FORM RESET OF INH CAPACITANCE
 (F) RATED VOLTAGE (V).

Digital amplifier section



1	7.9
2	6.8
3	6.8
4	0
5	7.2
6	6.8
7	6.8
8	14.9

1	3.1
2	2.4
3	1.8
4	5.0
5	0

1	2.5
2	2.5
3	2.5
4	0
5	2.5
6	2.5
7	2.5
8	4.9

1	2.5
2	2.5
3	0
4	2.5
5	4.9

1	1.4
2	4.4
3	4.9

1	0
2	0
3	0
4	0

R1101	R1201
FS-X1	1.8k
FS-X1	1.5k

	JC-VER	OTHER VER.
R1117,R1217	18k	19k

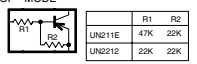
1	2.4	8	2.4
2	2.6	9	2.5
3	2.6	10	2.5
4	2.3	11	4.9
5	2.3	12	2.5
6	2.6	13	2.4
7	0	14	4.9

1	0	8	2.5
2	0	9	2.4
3	4.9	10	4.9
4	2.5	11	4.9
5	4.9	12	2.5
6	2.4	13	0
7	0	14	4.9

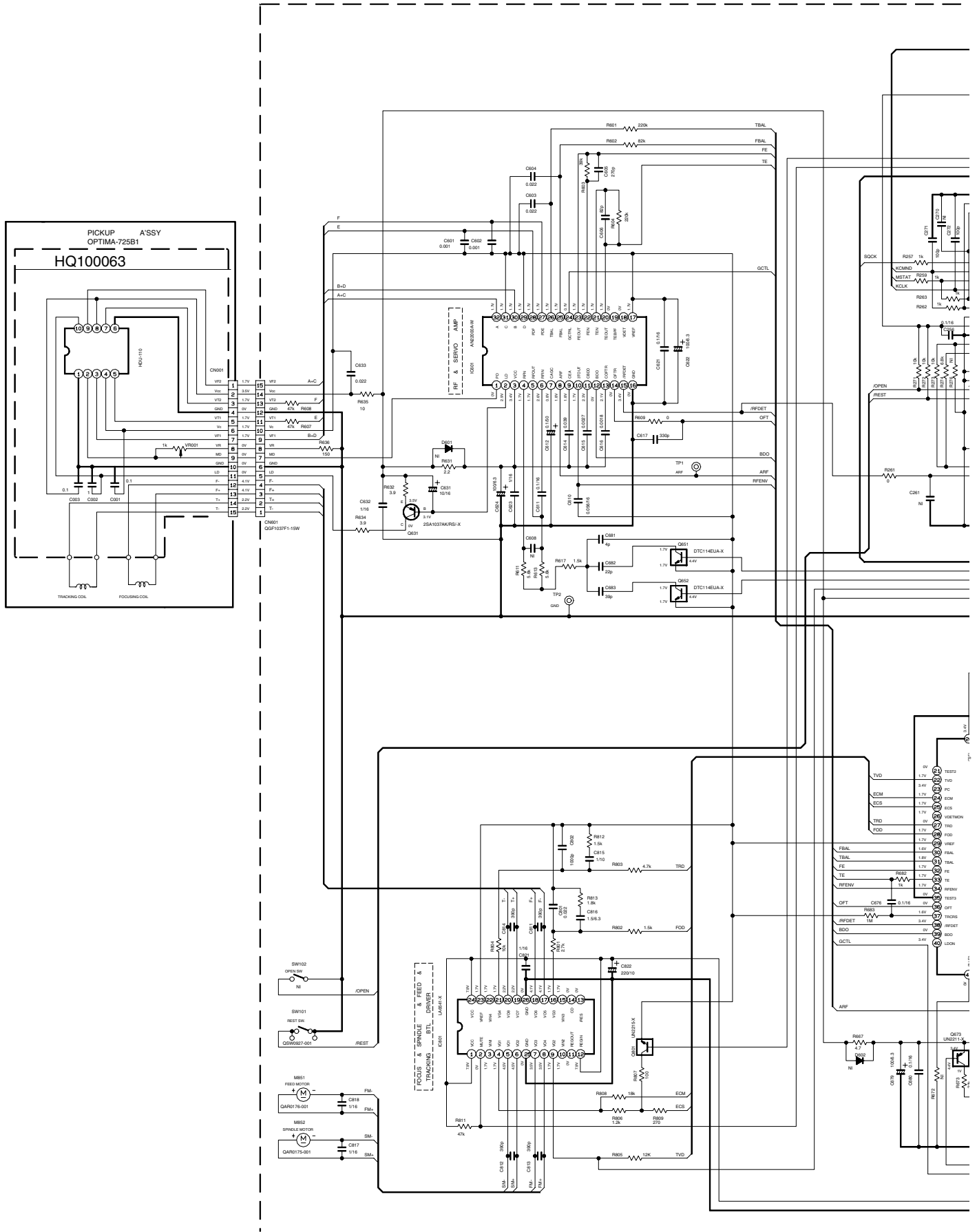
NOTES

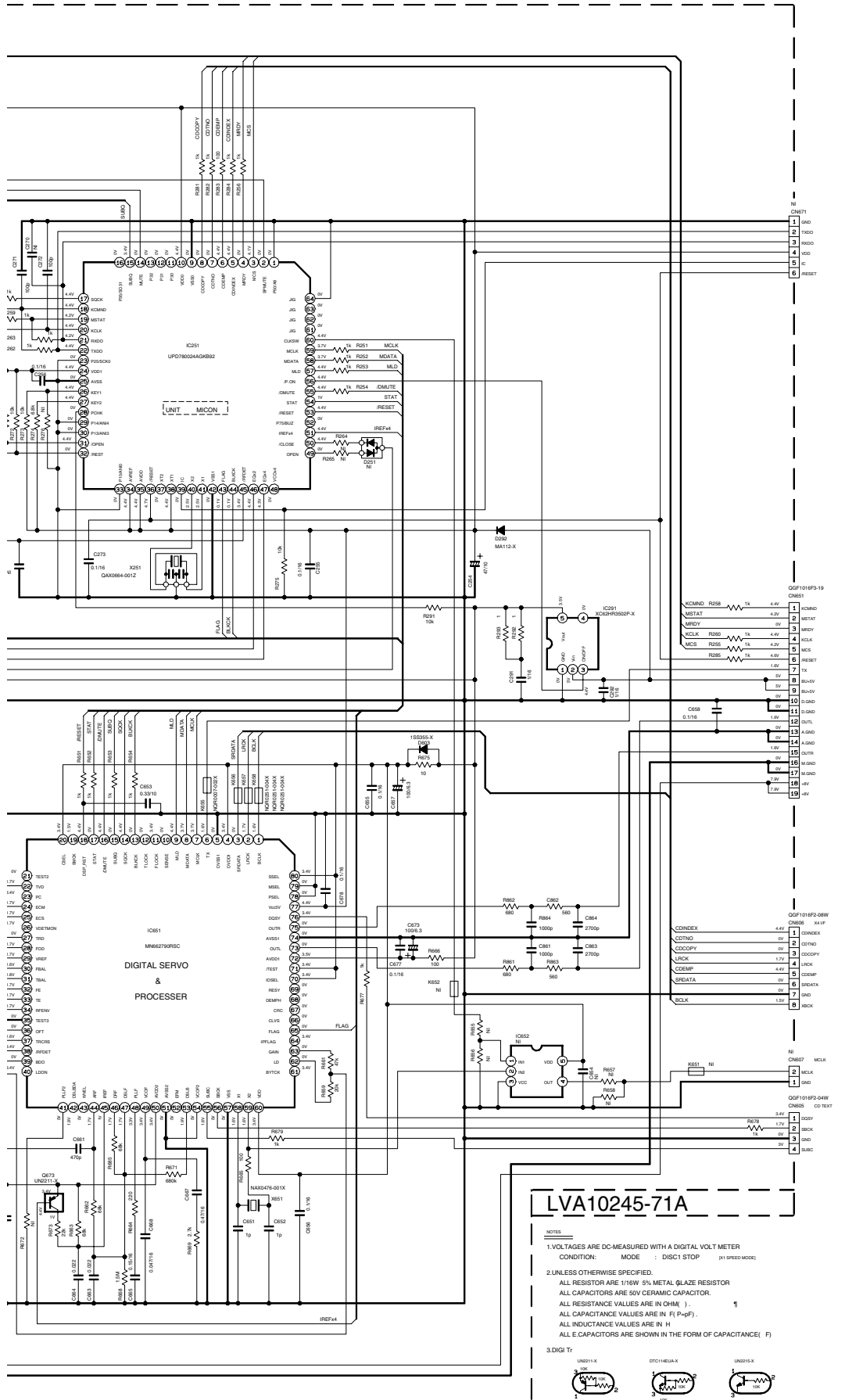
1. PARTS ARE SAFETY ASSURANCE PARTS. WHEN REPLACING THOSE PARTS MAKE SURE TO USE THE SPECIFIED ONE.

2. UNLESS OTHERWISE SPECIFIED, RESISTORS ARE 1/16W 5% METAL GLAZE RE ALL RESISTANCE VALUES ARE IN OHM, ALL CAPACITORS ARE CERAMIC CAPACITORS ALL CAPACITANCE VALUES ARE IN P (PF) ALL INDUCTANCE VALUES ARE IN H (mH) ALL ELECTROLYTIC CAPACITORS ARE SHOWN IN THE F (F) RATED VOLTAGE (V).



CD servo control section



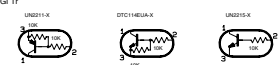


FOR FLASH MICON

TO AMP

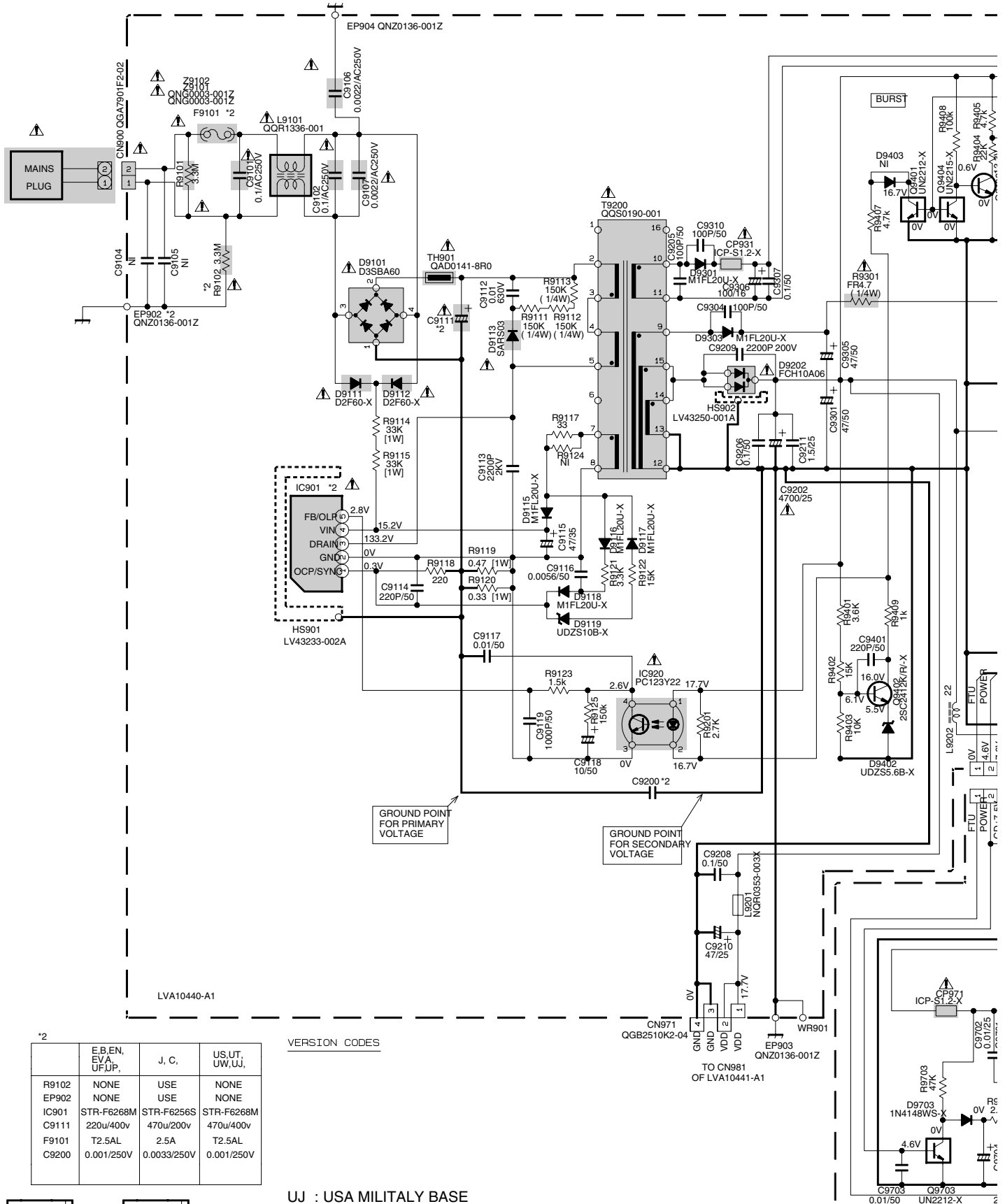
LVA10245-71A

- NOTES
- VOLTAGES ARE DC-MEASURED WITH A DIGITAL VOLT METER
CONDITION: MODE : DISC1 STOP (X1 SPEED MODE)
 - UNLESS OTHERWISE SPECIFIED,
ALL RESISTOR ARE 1/16W 5% METAL GLAZE RESISTOR
ALL CAPACITORS ARE 50V CERAMIC CAPACITOR.
ALL RESISTANCE VALUES ARE IN OHM (Ω)
ALL CAPACITANCE VALUES ARE IN F (Pico-F).
ALL INDUCTANCE VALUES ARE IN H
ALL E CAPACITORS ARE SHOWN IN THE FORM OF CAPACITANCE(F)
 - DIGI Tr



(RATED VOLTAGE (V))

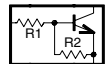
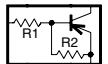
Power supply / FL display section



	E, B, EN, EVA, UF, UP.	J. C.	US, UT, UW, UJ.
R9102	NONE	USE	NONE
EP902	NONE	USE	NONE
IC901	STR-F6268M	STR-F6256S	STR-F6268M
C9111	220u/400v	470u/200v	470u/400v
F9101	T2.5AL	2.5A	T2.5AL
C9200	0.001/250V	0.0033/250V	0.001/250V

VERSION CODES

UJ : USA MILITARY BASE



	R1	R2
UN2111	10K	10K

	R1	R2
UN2215	10K	NONE
UN2211	10K	10K
UN2212	22K	22K

⚠ Parts are safety assurance parts. When replacing those parts make sure to use the specified one.

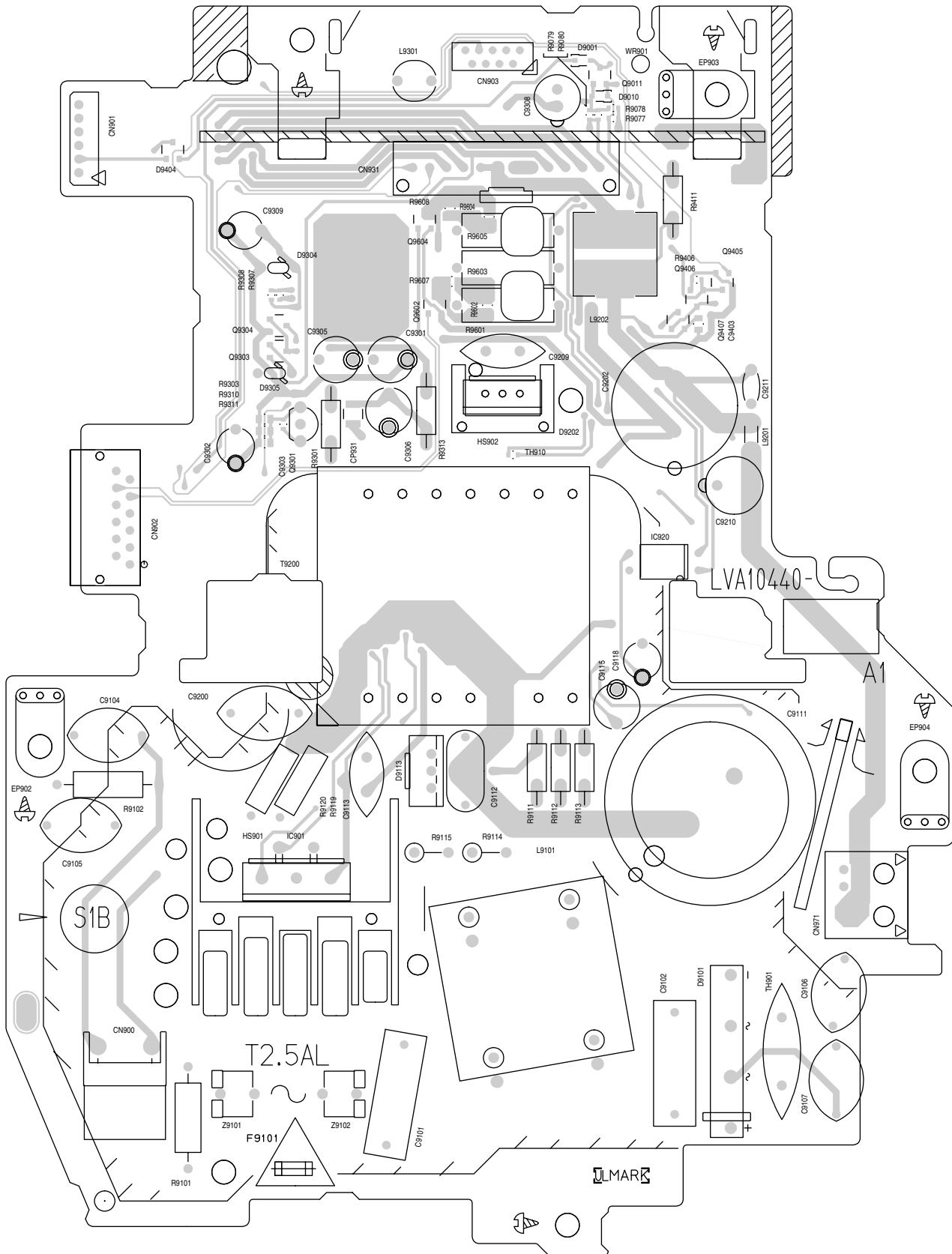
NOTES
1. VOLTAGES ARE DC-MEASURED CONDITION - CD STOP MOD

Printed circuit boards

■ Power board (1/2)

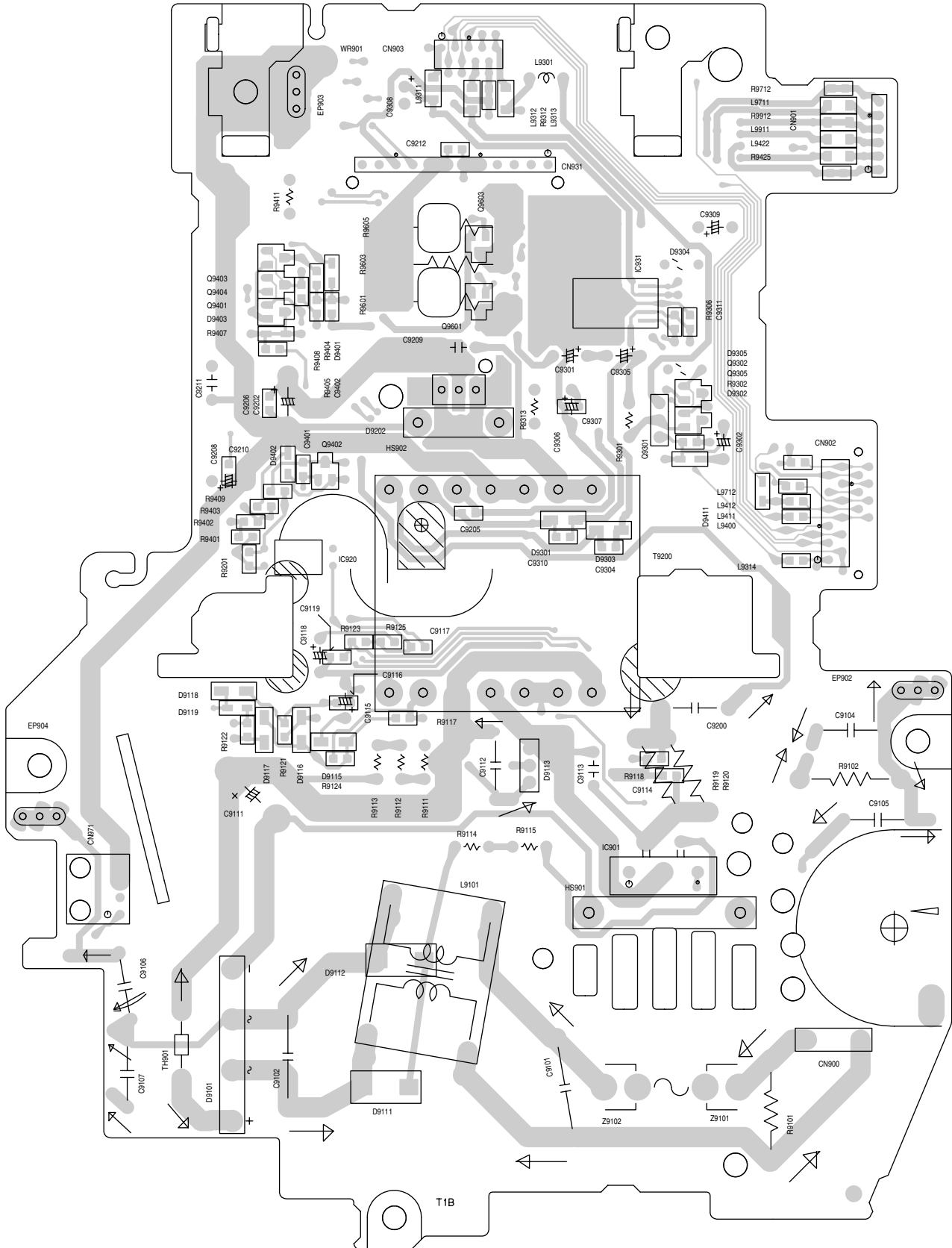
Forward side

(Power supply board)



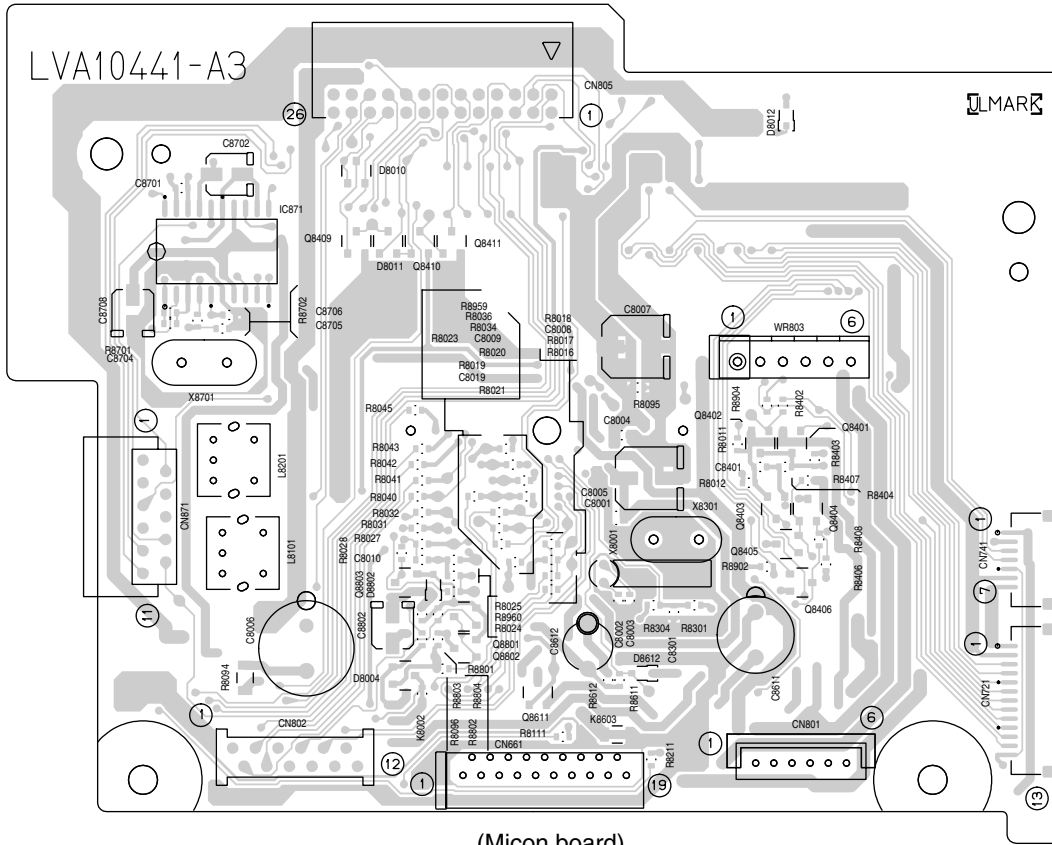
Reverse side

(Power supply board)



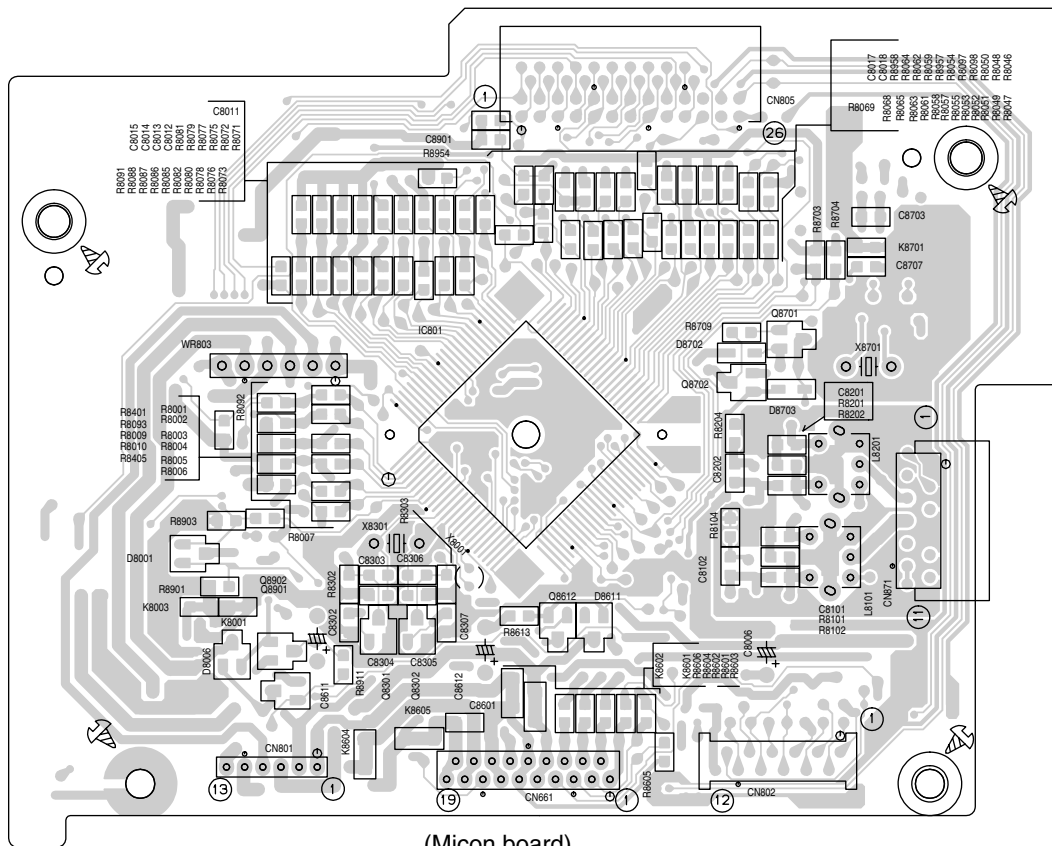
■ Micon board (2/2)

Forward side

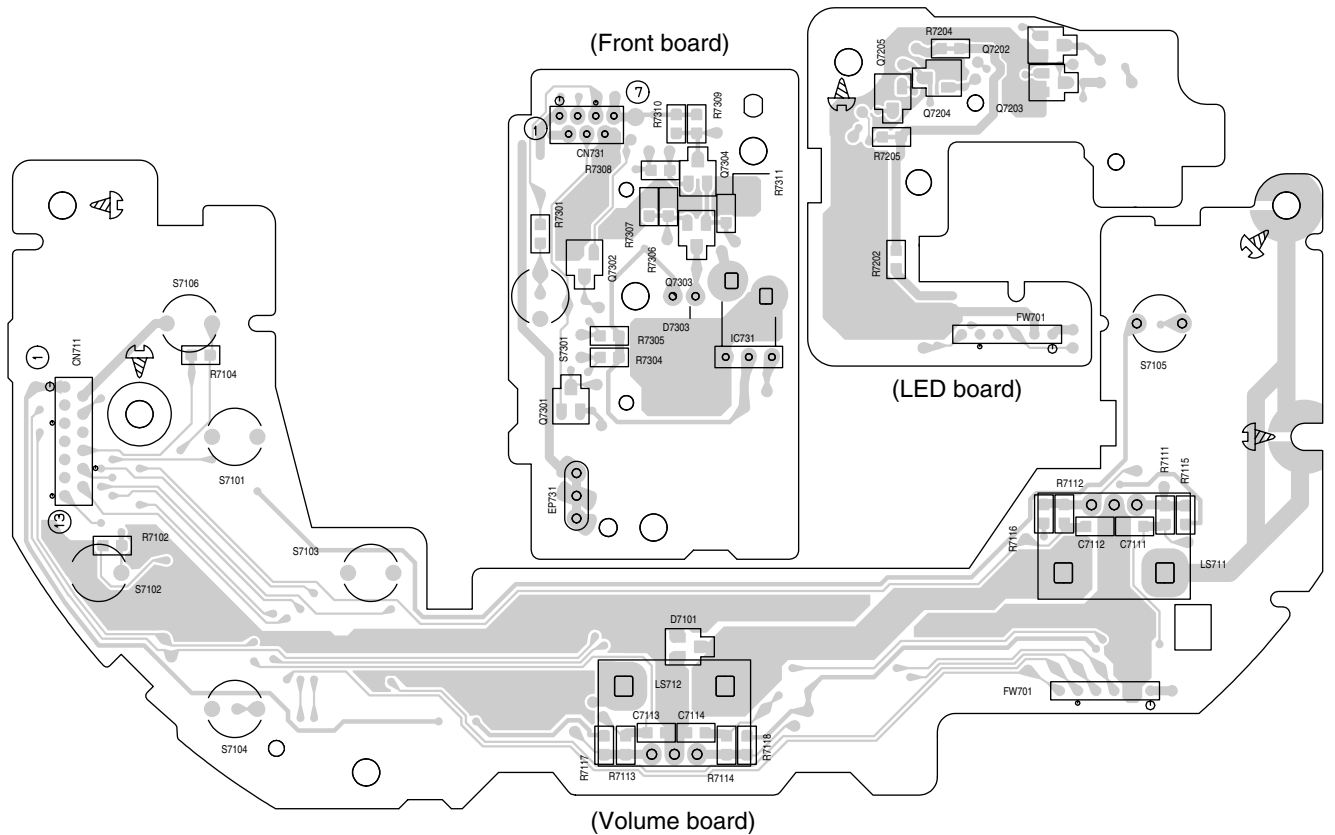
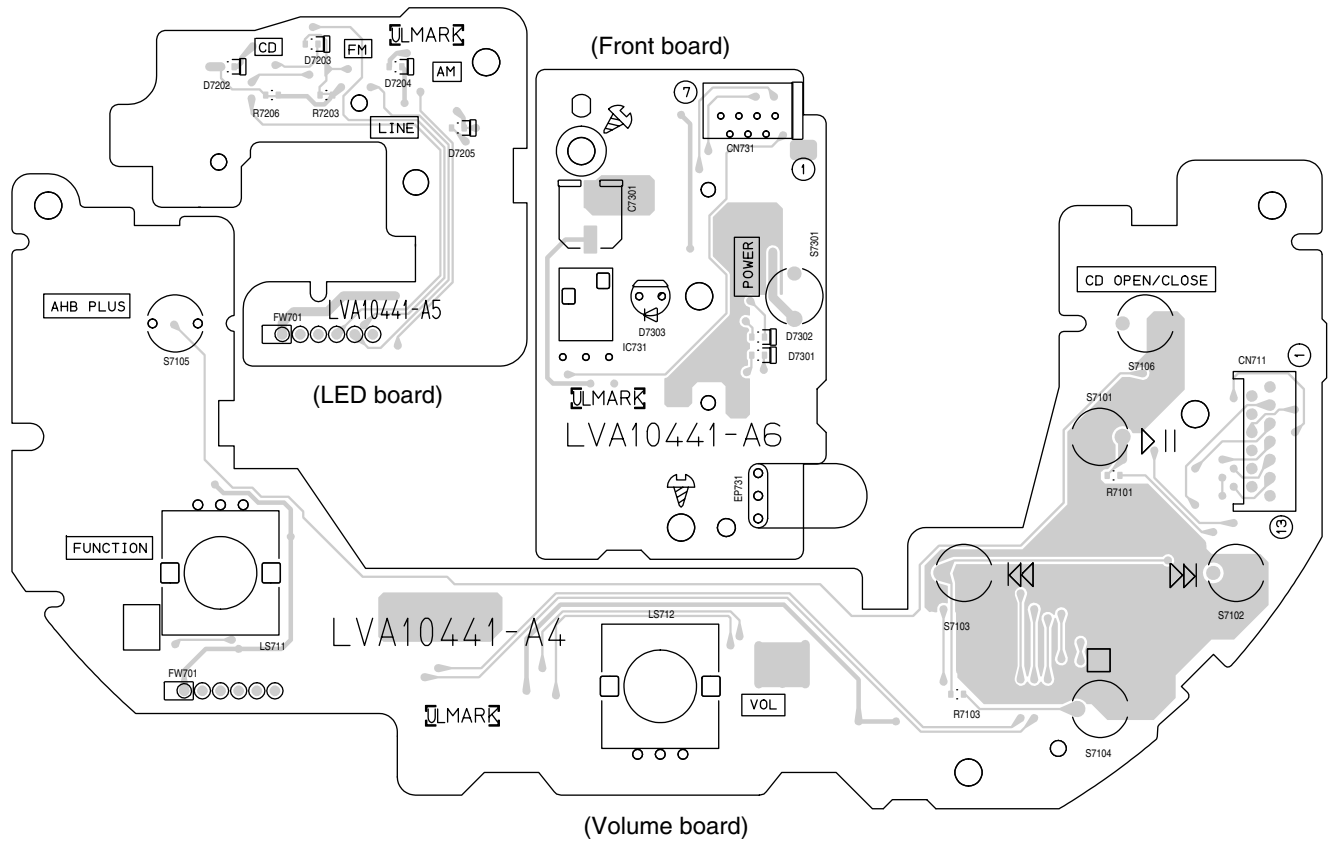


(Micon board)

Reverse side

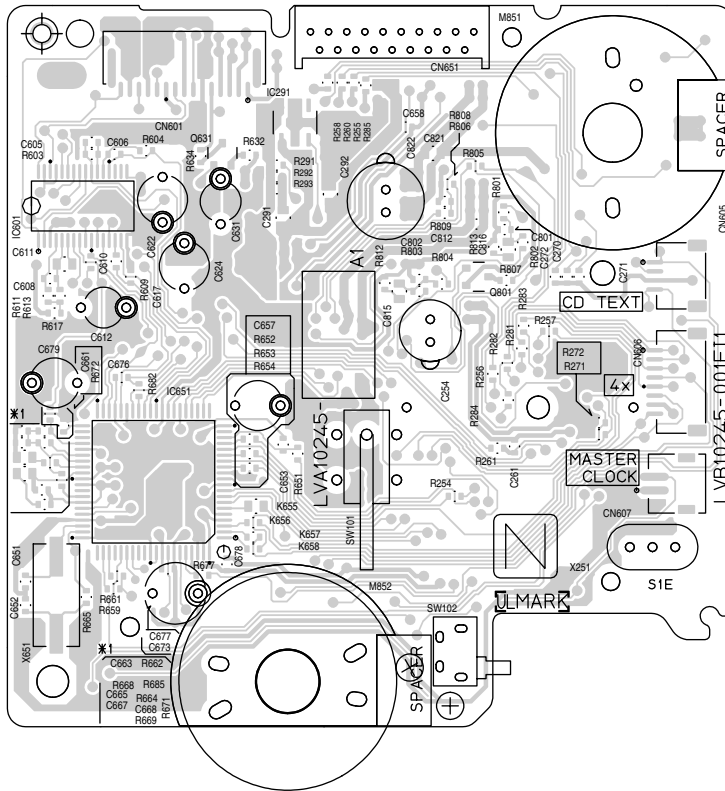


(Micon board)

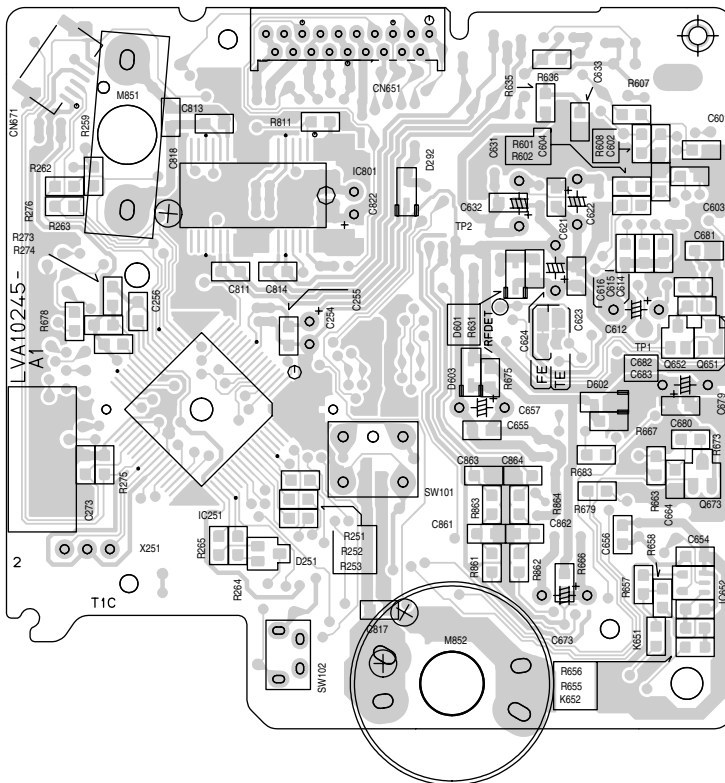


CD servo board

Forward side



Reverse side



< MEMO >

JVC

VICTOR COMPANY OF JAPAN, LIMITED

AV & MULTIMEDIA COMPANY AUDIO/VIDEO SYSTEMS CATEGORY 10-1, 1chome, Ohwatari-machi, Maebashi-city, 371-8543, Japan

(No.MB004SCH)



Printed in Japan
WPC

PARTS LIST

[FS-X3]
[FS-X1]

* All printed circuit boards and its assemblies are not available as service parts.

Area suffix

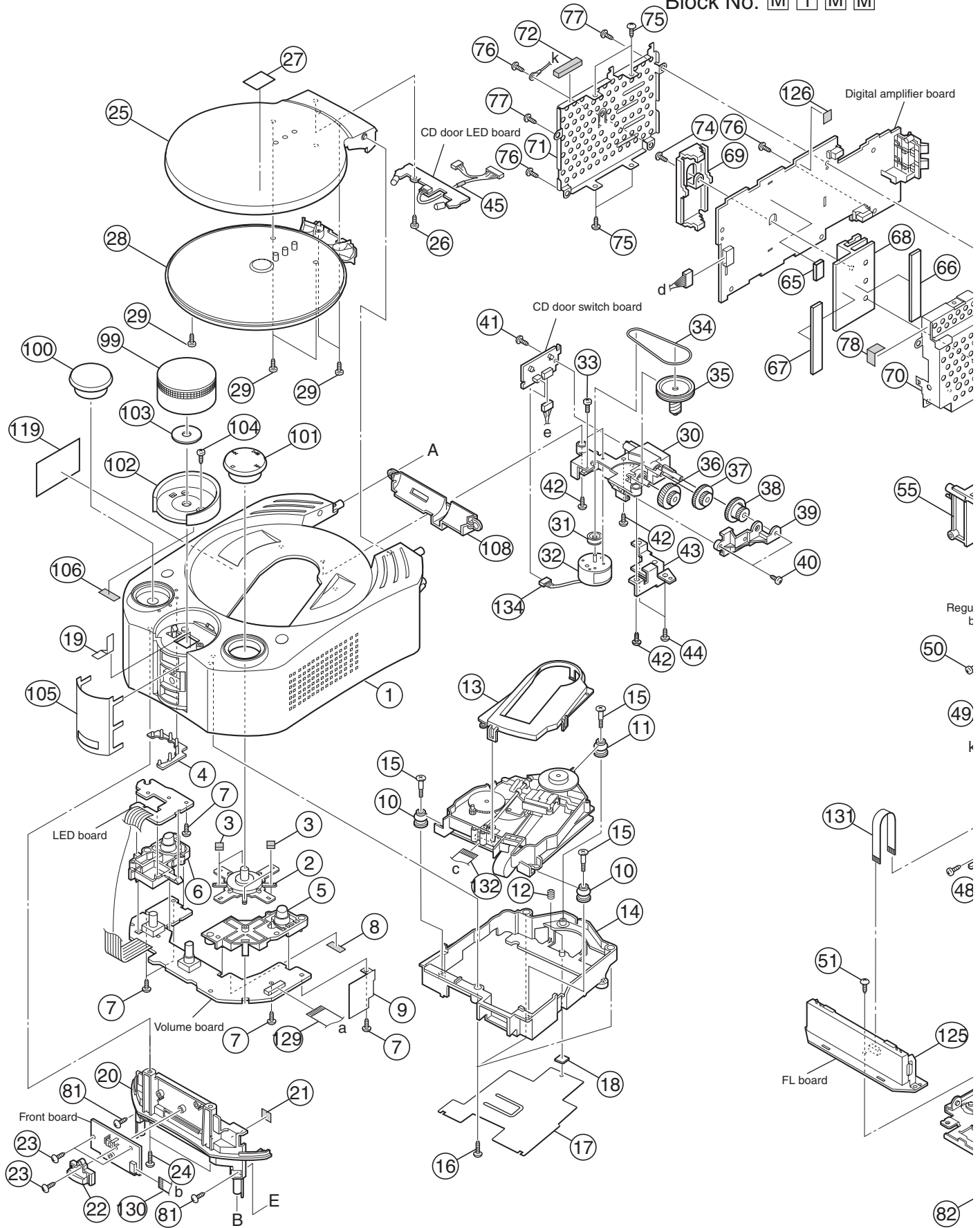
J ----- U.S.A.
C ----- Canada

- Contents -

Exploded view of general assembly and parts list (Block No.M1)	3- 2
Speaker assembly and parts list (SP-FSX3) (Block No.M6)	3- 5
Speaker assembly and parts list (SP-FSX1) (Block No.M7)	3- 6
CD mechanism assembly and parts list (Block No.MB)	3- 7
Electrical parts list (Block No.01~03)	3- 9
Packing materials and accessories parts list (FS-X3) (Block No.M3)	3-17
Packing materials and accessories parts list (FS-X1) (Block No.M3)	3-18

Exploded view of general assembly and parts list

Block No. M 1 M M



General assembly

Block No. [M][1][M][M]

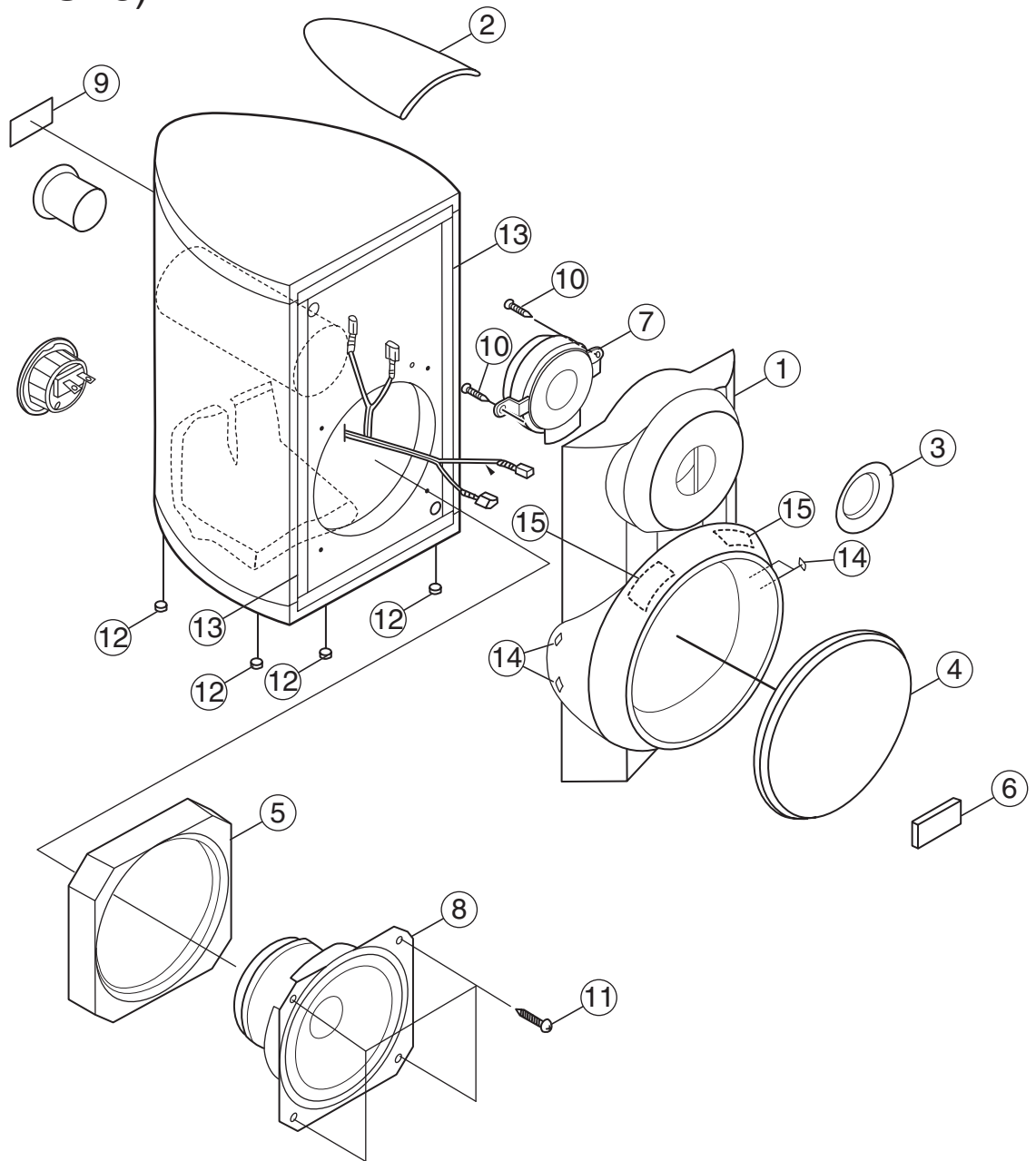
△ Symbol No.	Part No.	Part Name	Description	Local
1	LV10701-008A	TOP CASE		X1C,X1J
1	LV10701-007A	TOP CASE		X3C,X3J
2	LV33785-001A	BUTTON BASE(A)		
3	LV30225-0L4A	SPECER	(x4)	
4	LV33774-001A	FUNCTION IND.		
5	LV33786-003A	BUTTON BASE(B)		X1C,X1J
5	LV33786-002A	BUTTON BASE(B)		X3C,X3J
6	LV33779-003A	PUSH BUTTON(A)		X1C,X1J
6	LV33779-002A	PUSH BUTTON(A)		X3C,X3J
7	QYSBSF2608Z	TAPPING SCREW	2.6mm x 8mm(x5)	
8	LV30225-0L3A	SPECER		
9	LV43408-001A	BARRIER(D)		
10	LV41659-001A	INSULATOR	(x2)	
11	LV41659-002A	INSULATOR		
12	LV43342-001A	ASSIST SP		
13	LV21332-002A	PICK UP COVER		
14	LV21333-002A	CD MECHA HOLDER		
15	LV43245-001A	SPECIAL SCREW	(x3)	
16	QYSBSF2608Z	TAPPING SCREW	2.6mm x 8mm(x3)	
17	LV43306-001A	CD BURRIER		
18	VYSH101-009	SPECER		
19	LV43589-001A	SHEET(A)		
20	LV21335-001A	FRONT HOLDER		
21	VYSH101-009	SPECER		
22	LV33775-003A	POWER KNOB ASSY		X1C,X1J
22	LV33775-002A	POWER KNOB ASSY		X3C,X3J
23	QYSBSF2608Z	TAPPING SCREW	2.6mm x 8mm(x3)	
24	QYSBSF2610Z	SCREW	2.6mm x 10mm(x2)	
25	LV10703-005A	CD DOOR		X1C,X1J
25	LV10703-004A	CD DOOR		X3C,X3J
26	QYSDSF2005N	SCREW	2mm x 5mm	
27	LV43618-001A	CD CAUTION		
28	LV10704-001A	CD DOOR COVER		
29	QYSDSF2005N	SCREW	2mm x 5mm(x5)	
30	LV33788-001A	GEAR HOLDER		
31	VKS5548-001	MOTOR PULLEY		
32	QAR0164-001	MOTOR		
33	QYSPSPU1722Z	SCREW	M1.7 x 2.2mm(x2)	
34	LV43222-001A	BELT		
35	LV43152-001A	PULLEY WORM		
36	LV43155-001A	WORM WHEEL		
37	LV43151-001A	GEAR(A)		
38	LV43206-001A	GEAR(B)		
39	LV43153-001A	WHEEL STOPPER		
40	QYSDSF2006Z	SCREW	2mm x 6mm(x2)	
41	QYSBSF2608Z	TAPPING SCREW	2.6mm x 8mm	
42	QYSBSF2608Z	TAPPING SCREW	2.6mm x 8mm(x3)	
43	LV43386-001A	GEAR BKT		
44	QYSBSF2608Z	TAPPING SCREW	2.6mm x 8mm(x2)	
45	LV30225-0K9A	SPECER		
46	LV10705-002A	BOTTOM CHASSIS		
47	QYSBSG3006E	TAPPING SCREW	3mm x 6mm(x3)	
48	LV43446-001A	PWB BKT	(x2)	
49	QYSBSG3006E	TAPPING SCREW	3mm x 6mm(x2)	
50	QYSBSG3006E	TAPPING SCREW	3mm x 6mm(x2)	
51	QYSBSG3006E	TAPPING SCREW	3mm x 6mm	
52	LV30225-0H8A	SPECER		
53	LV34250-001A	BARRIER(E)		
54	LV34251-001A	BARRIER(F)		
55	LV10796-001A	CENTER CHASSIS		
56	LV30225-0M2A	SPECER		
57	QYSBSF3008Z	SCREW	3mm x 8mm(x3)	
58	QAR0272-001	FAN MOTOR		
59	LV34051-002A	FAN BRACKET		
60	QYSBSF2608Z	TAPPING SCREW	2.6mm x 8mm	
61	QYSDST2616M	SCREW	M2.6 x 16mm	
62	QYSBSG3016Z	TAPPING SCREW	M3 x 16mm(x2)	
63	QYSBSF3010Z	SCREW	3mm x 10mm(x2)	
64	QYSBSG3006E	TAPPING SCREW	3mm x 6mm(x2)	
65	LV43407-005A	RUBBER SHEET		
66	LV43400-002A	SHIELD TIGHT		
67	LV43400-003A	SHIELD TIGHT		
68	LV43452-002A	HEAT SINK		
69	LV43453-002A	HEAT SINK BKT		

△ Symbol No.	Part No.	Part Name	Description	Local
70	LV33790-001A	SHIELD(B)		
71	LV33791-002A	SHIELD(C)		
72	LV43400-001A	SHIELD TIGHT		
73	QYSDSG2606Z	SCREW	M2.6 x 6mm(x2)	
74	QYSDSG2606Z	SCREW	M2.6 x 6mm	
75	QYSBST2604E	TAPPING SCREW	2.6mm x 4mm(x4)	
76	QYSBSG3006E	TAPPING SCREW	3mm x 6mm(x3)	
77	QYSBSF3010Z	SCREW	3mm x 10mm(x2)	
78	LV30225-0L1A	SPECER		
79	LV30225-074A	SPECER		
80	LV30225-0L1A	SPECER		
81	QYSBSF3010Z	SCREW	3mm x 10mm(x2)	
82	QYSBSG3006E	TAPPING SCREW	3mm x 6mm(x2)	
△ 83	QMPD380-200-JN	POWER CORD(US/CA)	2m BLACK	
△ 84	QZW0033-001	STRAIN RELIEF		
85	LV30225-0L7A	SPECER		
86	LV30225-0L1A	SPECER		
87	LV10702-002A	BOTTOM CASE(A)		
88	LV21337-001A	SIDE LENS(L)		
89	LV21338-001A	SIDE LENS(R)		
90	LV30225-0M6A	SPECER	(x2)	
91	LV30225-0M7A	SPECER	(x2)	
92	LV30225-0M8A	SPECER	(x2)	
93	QYSDSG3006N	TAPPING SCREW	M3 x 6mm(x5)	
94	LV21334-003A	BOTTOM CASE(B)		
95	LV30225-0M8A	SPECER	(x2)	
96	LV21336-001A	FRONT LENS		
97	LV43200-001A	FL SCREEN		
98	QYSBSF3014M	SCREW	3mm x 14mm(x3)	
99	LV33769-004A	VOL KNOB ASSY		X1C,X1J
99	LV33769-005A	VOL KNOB ASSY		X3C,X3J
100	LV33773-003A	FUNCTION KNOB		
101	LV33784-002A	CONTROL BUTTON		
102	LV33772-001A	VOLUME RING		
103	LV43433-001A	VOL.SHEET		
104	QYSBSF2608Z	TAPPING SCREW	2.6mm x 8mm	
105	LV33777-006A	CYLINDER COVER		X1C,X1J
105	LV33777-005A	CYLINDER COVER		X3C,X3J
106	LV43590-001A	SHEET(B)		
107	LV10706-009A	REAR COVER		
108	LV34189-001A	COVER		
109	LV34050-002A	FAN COVER		
110	QYSDST2616M	SCREW	M2.6 x 16mm(x2)	
111	QYSDSG3010N	TAPPING SCREW	3mm x 10mm(x2)	
112	QYSDSG3010N	TAPPING SCREW	3mm x 10mm(x5)	
113	QYSDSG3010N	TAPPING SCREW	3mm x 10mm(x2)	
114	QYSDSG3010N	TAPPING SCREW	3mm x 10mm(x6)	
115	LV34243-003A	RATING LABEL		X1C,X1J
115	LV34242-003A	RATING LABEL		X3C,X3J
116	LV40240-003A	FOOT	(x4)	
117	LV33794-001A	EARTH PLATE(A)		
118	LV33865-001A	EARTH PLATE(B)		
119	VND5008-001	FCC LABEL(4)		
120	VND4118-003	CAUTION LABEL		
121	LV43513-001A	CAUTION LABEL		
△ 122	QMF51U1-2R5-J8	FUSE	F 9101 2.5A AC125V	
123	QYSBSG3010E	TAPPING SCREW	3mm x 10mm	
124	QYSBST3006E	TAPPING SCREW	3mm x 6mm	
125	LV33783-001A	HOLDER		
126	VYSH101-009	SPECER		
127	QYSBST3006E	TAPPING SCREW	3mm x 6mm(x3)	
128	QAU0307-002	TUNER		
129	QUQ110-1313BF	FFC		
130	QUQ110-0715AF	FFC		
131	QUQ410-0908CF	FFC		
132	QUQ710-1924AF	FFC		
133	QUQ412-1112DJ	FFC WIRE		
134	WJM0017-001A	E-SI C WIRE C-F		
135	QJJ055-261101	SIN CR C-C WIRE		

Speaker assembly and parts list

Block No. M 6 M M

(SP-FSX3)



Speaker (SP-FSX3)

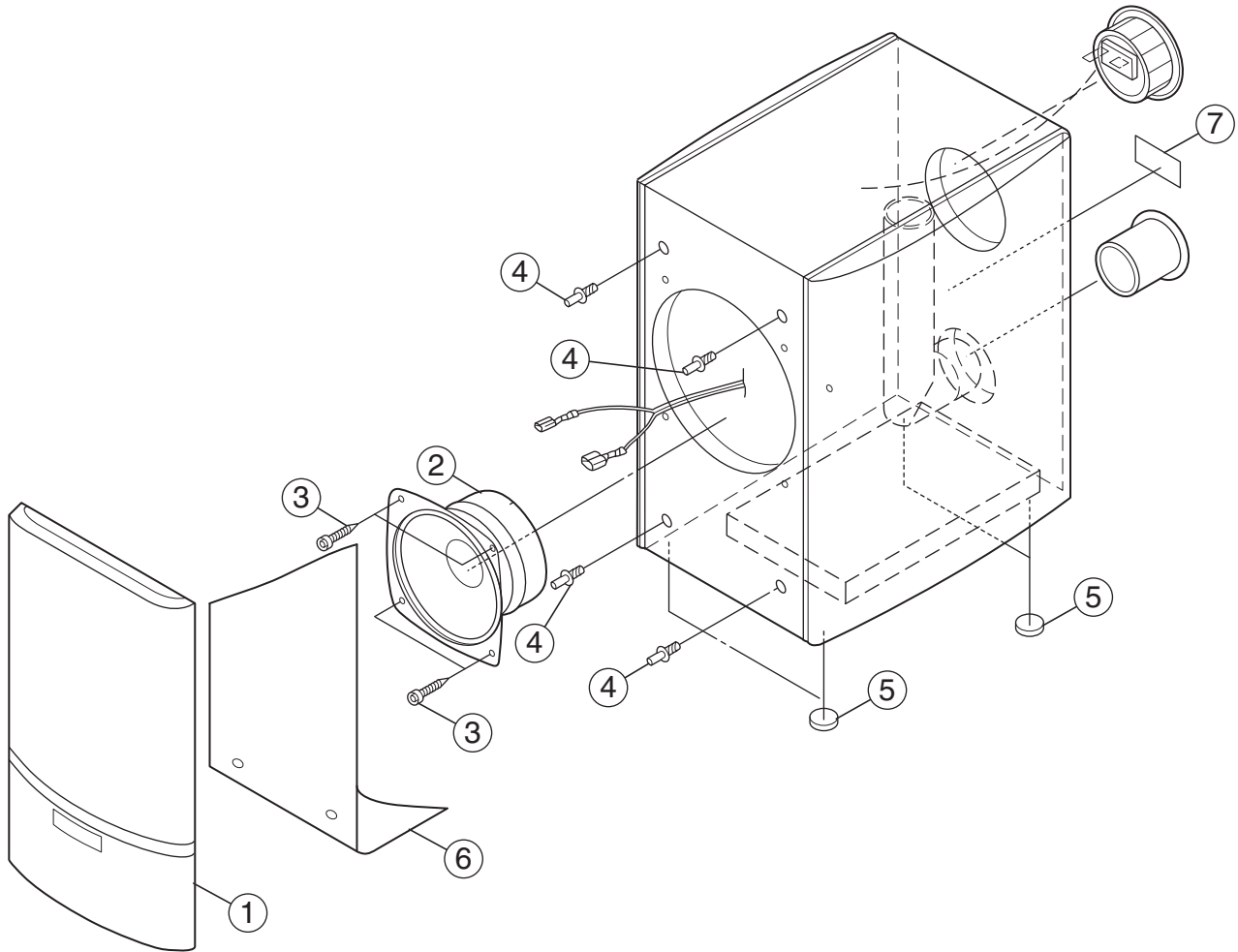
Block No. M[6]M[M]

△ Symbol No.	Part No.	Part Name	Description	Local	△ Symbol No.	Part No.	Part Name	Description	Local
1	LV10766-001A	ORNAMENT	(x2)		9	FX3HT0201	RATING LABEL	(x2)	
2	LV34024-001A	TOP COVER	(x2)		10	FX3ML0101	SCREW	(x4)	
3	LV43312-001A	TW.AL.RING	(x2)		11	FX3ML0201	SCREW	(x8)	
4	LV34023-001A	SPEAKER COVER	(x2)		12	D77JD0001	RUBBER MAT	(x8)	
5	LV34025-001A	WO.SPACER	(x2)		13	FX3MF0101	SPECER	(x4)	
6	LV40209-002A	MARK	(x2)		14	FX3MF0201	SPECER	(x8)	
7	FX3TW0001	TWEETER	(x2)		15	FX3CT0001	CLOTH TAPE	(x4)	
8	FX3WO0001	WOOFER	(x2)						

Speaker assembly and parts list

(SP-FSX1)

Block No. [M][7][M][M]



Speaker (SP-FSX1)

Block No. [M][7][M][M]

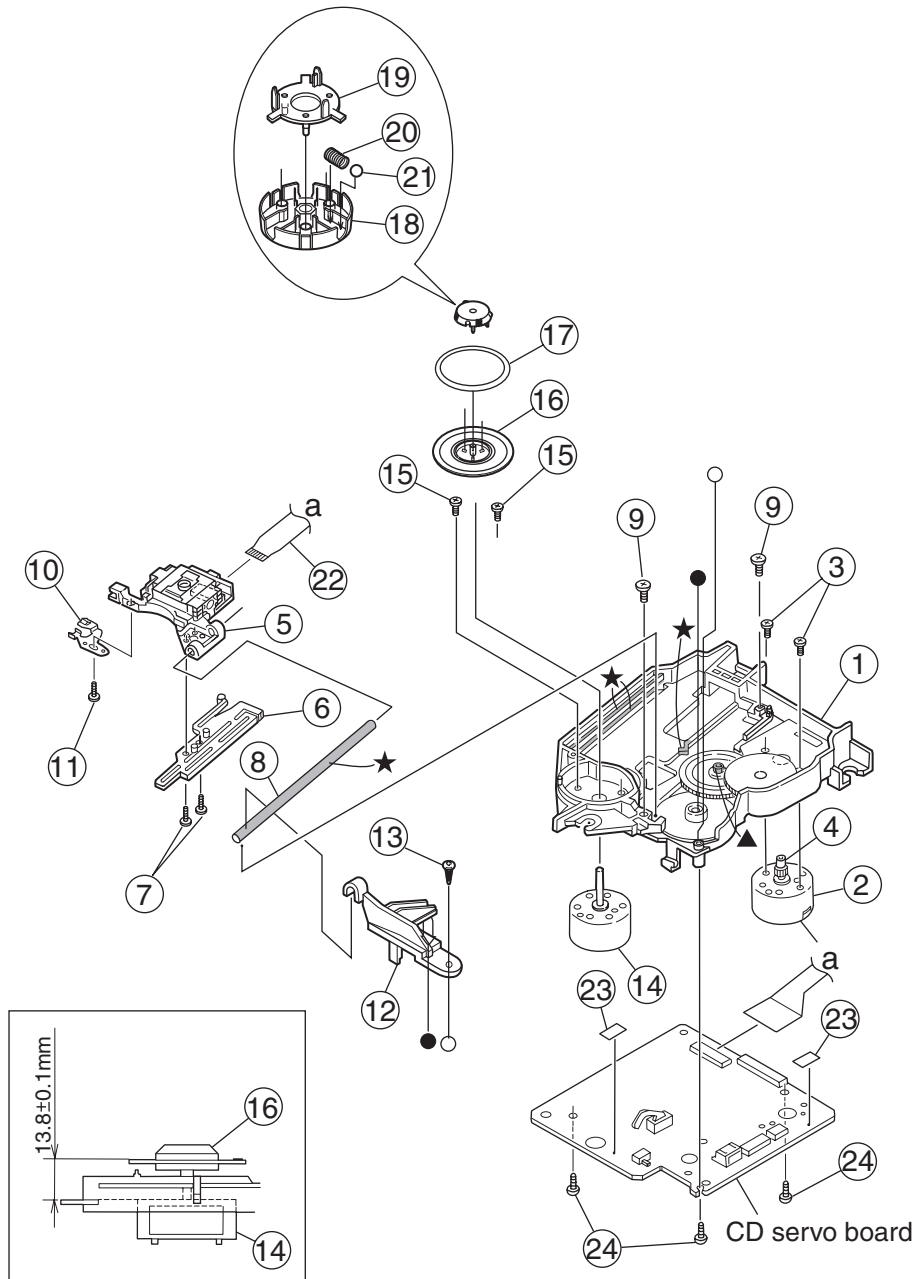
Symbol No.	Part No.	Part Name	Description	Local
1	LV21373-002A	SARAN BOARD ASS	(x2)	
2	FX1WO0001	SPEAKER	(x2)	
3	SD5ML0001	TAPPING SCREW	(x8)	
4	SD5CX0001	LATCH	(x8)	
5	D77JD0001	RUBBER MAT	(x8)	
6	MDSKS0001	P.SHEET	(x2)	
7	FX1HT0301	RATING LABEL	(x2)	

CD mechanism assembly and parts list

Block No. M B M M

FMU-K7-1M

Grease
 ★ CFD-4007ZY2
 ▲ JVG-31N



CD mechanism

Block No. [M][B][M][M]

Symbol No.	Part No.	Part Name	Description	Local
1	LV32651-008A	CH.BASE ASSY		
2	QAR0176-001	FEED MOTOR		
3	VKZ4743-001	SPECIAL SCREW	(x2)	
4	LV42229-001A	MOTOR GEAR		
5	OPTIMA-725B2	CD PICK UP		
6	LV20993-002A	RACK PLATE		
7	QYSPSGT1735M	MINI SCREW	1.7mm x 3.5mm(x2)	
8	E406777-002SM	C.D SHAFT		
9	LV41741-001A	SPECIAL SCREW	(x2)	
10	LV31744-001A	P.S.SPRING		
11	QYSPSGT1425M	TAP SCREW	1.4mm x 2.5mm	
12	LV33756-001A	STOPPER		
13	QYSBSF2005Z	SCREW	2mm x 5mm	
14	QAR0252-001	SP.MOTOR		
15	VKZ4743-001	SPECIAL SCREW	(x2)	
16	LV31844-005A	T.TABLE		
17	LV41113-001A	R.SHEET		
18	LV32318-002A	DISC GUIDE		
19	LV32319-001A	BOTTOM COVER		
20	LV42040-001A	CHUCK SPRING	(x3)	
21	LV42041-001A	CHUCK BALL	(x3)	
22	LVB30008-001A	FPC		
23	LV30225-0B6A	SPACER	(x2)	
24	QYSBSF2005Z	SCREW	2mm x 5mm(x3)	

Electrical parts list

Power board

Block No. [0][1][0][0]

Symbol No.	Part No.	Part Name	Description	Local	Symbol No.	Part No.	Part Name	Description	Local
					△ D9304	RD3.0ES/B2/-T2	Z DIODE		
					D9305	RD3.0ES/B2/-T2	Z DIODE		
					D9401	UDZS13B-X	Z DIODE		
					D9402	UDZS5.6B-X	Z DIODE	1.5kΩ 1/10W J	
					D9403	1SS355-X	SI DIODE		
					D9404	MA153-X	DIODE		
					D9405	1SS355-X	SI DIODE		
					D9411	UDZS5.1B-X	Z DIODE		
					C4101	NEA71EM-475X	E CAPACITOR	4.7uF 25V M	
					C4102	NCS31HJ-151X	C CAPACITOR	150pF 50V J	
					C4103	NCS31HJ-151X	C CAPACITOR	150pF 50V J	
					C4104	QETN1AM-227Z	E CAPACITOR	220uF 10V M	
					C4111	NCS31HJ-151X	C CAPACITOR	150pF 50V J	
					C4112	NCS31HJ-151X	C CAPACITOR	150pF 50V J	
					C4131	NEA71CM-226X	E CAPACITOR	22uF 16V M	
					C4132	NCF31EZ-104X	C CAPACITOR	0.1uF 25V Z	
					C4133	NCF31EZ-104X	C CAPACITOR	0.1uF 25V Z	
					C4134	NCB31HK-122X	C CAPACITOR	1200pF 50V K	
					C4136	NEA71EM-475X	E CAPACITOR	4.7uF 25V M	
					C4137	NEA71CM-106X	E CAPACITOR	10uF 16V M	
					C4138	NEA71CM-106X	E CAPACITOR	10uF 16V M	
					C4139	NCB31CK-104X	C CAPACITOR	0.1uF 16V K	
					C4140	NEA71CM-106X	E CAPACITOR	10uF 16V M	
					C4155	NFV41CJ-393X	MPPS CAPACITOR	0.039uF 16V J	X1C,X1J
					C4156	NFV41CJ-103X	MPPS CAPACITOR	0.01uF 16V J	X3C,X3J
					C4162	NFV41CJ-104X	MPPS CAPACITOR	0.1uF 16V J	
					C4163	NFV41CJ-104X	MPPS CAPACITOR	0.1uF 16V J	
					C4165	NEA71CM-226X	E CAPACITOR	22uF 16V M	
					C4166	NEA71CM-106X	E CAPACITOR	10uF 16V M	
					C4201	NEA71EM-475X	E CAPACITOR	4.7uF 25V M	
					C4202	NCS31HJ-151X	C CAPACITOR	150pF 50V J	
					C4203	NCS31HJ-151X	C CAPACITOR	150pF 50V J	
					C4204	QETN1AM-227Z	E CAPACITOR	220uF 10V M	
					C4211	NCS31HJ-151X	C CAPACITOR	150pF 50V J	
					C4212	NCS31HJ-151X	C CAPACITOR	150pF 50V J	
					C4231	NEA71CM-226X	E CAPACITOR	22uF 16V M	
					C4232	NCF31EZ-104X	C CAPACITOR	0.1uF 25V Z	
					C4233	NCF31EZ-104X	C CAPACITOR	0.1uF 25V Z	
					C4234	NCB31HK-122X	C CAPACITOR	1200pF 50V K	
					C4236	NEA71EM-475X	E CAPACITOR	4.7uF 25V M	
					C4237	NEA71CM-106X	E CAPACITOR	10uF 16V M	
					C4238	NEA71CM-106X	E CAPACITOR	10uF 16V M	
					C4239	NCB31CK-104X	C CAPACITOR	0.1uF 16V K	
					C4240	NEA71CM-106X	E CAPACITOR	10uF 16V M	
					C4255	NFV41CJ-393X	MPPS CAPACITOR	0.039uF 16V J	X1C,X1J
					C4256	NFV41CJ-103X	MPPS CAPACITOR	0.01uF 16V J	X3C,X3J
					C4262	NFV41CJ-104X	MPPS CAPACITOR	0.1uF 16V J	
					C4263	NFV41CJ-104X	MPPS CAPACITOR	0.1uF 16V J	
					C4265	NEA71CM-226X	E CAPACITOR	22uF 16V M	
					C4266	NEA71CM-106X	E CAPACITOR	10uF 16V M	
					C4301	NEA71EM-475X	E CAPACITOR	4.7uF 25V M	
					C4302	NEA71CM-107X	E CAPACITOR	100uF 16V M	
					C4303	NEA71CM-476X	E CAPACITOR	47uF 16V M	
					C4311	NCB31HK-103X	C CAPACITOR	0.01uF 50V K	
					C4312	NCB31HK-103X	C CAPACITOR	0.01uF 50V K	
					C4321	NCB31HK-103X	C CAPACITOR	0.01uF 50V K	
					C4323	NCB31HK-103X	C CAPACITOR	0.01uF 50V K	
					C4341	NCB31CK-104X	C CAPACITOR	0.1uF 16V K	
					C4342	NBE41AM-106X	E CAPACITOR	10uF 10V M	
					C4502	NEA71AM-476X	E CAPACITOR	47uF 10V M	
					C4503	NCS31HJ-102X	C CAPACITOR	1000pF 50V J	
					C4801	NEB11CM-476X	E CAPACITOR	47uF 16V M	
					C4802	NEA71CM-476X	E CAPACITOR	47uF 16V M	
					C4901	NEA71CM-476X	E CAPACITOR	47uF 16V M	
					C4911	NBE51AM-476X	E CAPACITOR	47uF 10V M	
					C4912	NEA71AM-476X	E CAPACITOR	47uF 10V M	
					C4913	NEA71CM-106X	E CAPACITOR	10uF 16V M	
					C4915	NEA71HM-105X	E CAPACITOR	1uF 50V M	
					C7507	NCB21HK-104X	C CAPACITOR	0.1uF 50V K	
					C7508	NCB31CK-104X	C CAPACITOR	0.1uF 16V K	
					C7509	QETN1CM-107Z	E CAPACITOR	100uF 10V M	
					△ C9101	QFZ9075-104	MPP CAPACITOR	0.1uF AC275V M	
					△ C9102	QFZ9075-104	MPP CAPACITOR	0.1uF AC275V M	
△ IC431	HA17558AF-X	IC							
△ IC451	TA8409F-W	IC	Motor driver						
IC481	LC75342M-X	IC	E. volume						
IC492	HA17558AF-X	IC							
△ IC901	STR-F6256S	SW.IC							
△ IC920	PC123Y22	PHOTO COUPLER							
△ IC931	BA00ASFP-X	IC							
Q4101	2SC3661-X	TRANSISTOR							
Q4102	2SC3661-X	TRANSISTOR							
Q4111	2SC3661-X	TRANSISTOR							
Q4161	2SC2812N/6/-X	TRANSISTOR							
Q4201	2SC3661-X	TRANSISTOR							
Q4202	2SC3661-X	TRANSISTOR							
Q4211	2SC3661-X	TRANSISTOR							
Q4261	2SC2812N/6/-X	TRANSISTOR							
Q4301	UN211L-X	TRANSISTOR							
Q4311	UN2113-X	TRANSISTOR							
Q4321	2SC3661-X	TRANSISTOR							
Q4322	UN211E-X	DIGI TRANSISTOR							
Q4323	UN2211-X	TRANSISTOR							
Q4324	UN2111-X	TRANSISTOR							
Q4501	2SC2812N/6/-X	TRANSISTOR							
Q9011	2SB709A/Q/-X	TRANSISTOR							
Q9301	2SC2235/OY/-T	TRANSISTOR							
Q9302	UN2212-X	TRANSISTOR							
Q9303	UN2111-X	TRANSISTOR							
Q9304	UN2212-X	TRANSISTOR							
Q9305	UN2111-X	TRANSISTOR							
Q9401	UN2212-X	TRANSISTOR							
Q9402	2SC2412K/R/-X	TRANSISTOR							
Q9403	2SC2412K/R/-X	TRANSISTOR							
Q9404	UN2215-X	TRANSISTOR							
Q9405	UN2212-X	TRANSISTOR							
Q9406	2SC2412K/R/-X	TRANSISTOR							
Q9407	UN2111-X	TRANSISTOR							
△ Q9431	2SA1037AK/R/-X	TRANSISTOR							
Q9432	UN2212-X	TRANSISTOR							
Q9601	2SA1362/G/-X	TRANSISTOR							
Q9602	UN2211-X	TRANSISTOR							
Q9603	2SA1362/G/-X	TRANSISTOR							
Q9604	UN2211-X	TRANSISTOR							
D4301	UDZS6.8B-X	SI DIODE							
D4311	MA153-X	DIODE							
D4312	1SS355-X	SI DIODE							
D4321	1SS355-X	SI DIODE							
D4341	1SS388-X	SB DIODE							
D4501	GS1J-X	DIODE							
D4502	GS1J-X	DIODE							
D4503	CRS01-W	SB DIODE							
D4506	GS1J-X	DIODE							
D4801	GS1J-X	DIODE							
D4901	UDZS4.7B-X	Z DIODE							
D4911	MA152WK-X	SI DIODE							
D4912	1SS355-X	SI DIODE							
D4915	UDZS4.7B-X	Z DIODE							
D9001	1N4148WS-X	DIODE C.M							
D9010	1N4148WS-X	DIODE C.M							
△ D9101	D3SBA60	DIODE							
△ D9111	D2F60-X	SI DIODE							
△ D9112	D2F60-X	SI DIODE							
△ D9113	SARS03	SI DIODE							
D9115	M1FL20U-X	FR DIODE							
D9116	M1FL20U-X	FR DIODE							
D9117	M1FL20U-X	FR DIODE							
D9118	M1FL20U-X	FR DIODE							
D9119	UDZS10B-X	Z DIODE							
△ D9202	FCH10A06	SB DIODE							
D9301	M1FL20U-X	FR DIODE							
D9302	UDZS36B-X	Z DIODE							
D9303	M1FL20U-X	FR DIODE							

△ Symbol No.	Part No.	Part Name	Description	Local	△ Symbol No.	Part No.	Part Name	Description	Local
△ C9106	QCZ9079-222	C CAPACITOR	2200pF AC250V M		R4217	NRSA63J-473X	MG RESISTOR	47kΩ 1/16W J	
△ C9107	QCZ9079-222	C CAPACITOR	2200pF AC250V M		R4221	NRSA63J-223X	MG RESISTOR	22kΩ 1/16W J	
△ C9111	QEZO599-477	E CAPACITOR	470uF		R4231	NRSA63J-752X	MG RESISTOR	7.5kΩ 1/16W J	
C9112	QFKA2JK-103	C CAPACITOR	0.01uF 630V K		R4250	NRSA63J-0R0X	MG RESISTOR	0Ω 1/16W J	
C9113	QCZ0341-222Z	C CAPACITOR	2200pF		R4255	NRSA63J-102X	MG RESISTOR	1kΩ 1/16W J	
C9114	NCS31HJ-221X	C CAPACITOR	220pF 50V J		R4257	NRSA63J-332X	MG RESISTOR	3.3kΩ 1/16W J	X1C,X1J
C9115	QTMN1VM-476Z	E CAPACITOR	47uF 35V M		R4257	NRSA63J-222X	MG RESISTOR	2.2kΩ 1/16W J	X3C,X3J
C9116	NCB31HK-562X	C CAPACITOR	5600pF 50V K		R4261	NRSA63J-304X	MG RESISTOR	300kΩ 1/16W J	
C9117	NCB31HK-103X	C CAPACITOR	0.01uF 50V K		R4263	NRSA63J-153X	MG RESISTOR	15kΩ 1/16W J	
C9118	QTMN1HM-106Z	E CAPACITOR	10uF 50V M		R4264	NRSA63J-102X	MG RESISTOR	1kΩ 1/16W J	
C9119	NCB31HK-102X	C CAPACITOR	1000pF 50V K		R4265	NRSA63J-224X	MG RESISTOR	220kΩ 1/16W J	
C9200	QCZ9079-332	C CAPACITOR	3300pF AC250V M		R4266	NRSA63J-821X	MG RESISTOR	820Ω 1/16W J	
△ C9202	QTMN1EM-478	E CAPACITOR	4700uF 25V M		R4277	NRSA63J-473X	MG RESISTOR	47kΩ 1/16W J	
C9205	NCS31HJ-101X	C CAPACITOR	100pF 50V J		R4280	NRSA63J-0R0X	MG RESISTOR	0Ω 1/16W J	
C9206	NCB21HK-104X	C CAPACITOR	0.1uF 50V K		R4281	NRSA63J-0R0X	MG RESISTOR	0Ω 1/16W J	
C9208	NCB21HK-104X	C CAPACITOR	0.1uF 50V K		R4301	NRSA63J-912X	MG RESISTOR	9.1kΩ 1/16W J	
C9209	QCZ0341-222Z	C CAPACITOR	2200pF		R4302	NRSA63J-103X	MG RESISTOR	10kΩ 1/16W J	
C9210	QTE1E06-476Z	E CAPACITOR	47uF 25V		R4303	NRS144J-151X	MG RESISTOR	150Ω 1/4W J	
C9211	QCZ0202-155Z	C CAPACITOR	1.5uF 25V Z		R4321	NRSA63J-222X	MG RESISTOR	2.2kΩ 1/16W J	
C9212	NCB31HK-103X	C CAPACITOR	0.01uF 50V K		R4322	NRSA63J-682X	MG RESISTOR	6.8kΩ 1/16W J	
C9301	QTMN1HM-476Z	E CAPACITOR	47uF 50V M		R4323	NRSA63J-102X	MG RESISTOR	1kΩ 1/16W J	
C9302	QTMN1HM-105Z	E CAPACITOR	1uF 50V M		R4324	NRSA63J-472X	MG RESISTOR	4.7kΩ 1/16W J	
C9303	NCS31HJ-101X	C CAPACITOR	100pF 50V J		R4341	NRSA63J-101X	MG RESISTOR	100Ω 1/16W J	
C9304	NCS31HJ-101X	C CAPACITOR	100pF 50V J		R4501	NRSA63J-113X	MG RESISTOR	11kΩ 1/16W J	
C9305	QTMN1HM-476Z	E CAPACITOR	47uF 50V M		R4502	NRSA63J-153X	MG RESISTOR	15kΩ 1/16W J	
C9306	QTMN1CM-107Z	E CAPACITOR	100uF 16V M		R4503	NRSA63J-203X	MG RESISTOR	20kΩ 1/16W J	
C9307	NCB21HK-104X	C CAPACITOR	0.1uF 50V K		R4507	NRSA63J-3R3X	MG RESISTOR	3.3Ω 1/16W J	
C9308	QERF1HM-106Z	E CAPACITOR	10uF 50V M		R4508	NRSA63J-3R3X	MG RESISTOR	3.3Ω 1/16W J	
C9309	QTMN1HM-226Z	E CAPACITOR	22uF 50V M		R4509	NRSA63J-3R3X	MG RESISTOR	3.3Ω 1/16W J	
C9310	NCS31HJ-101X	C CAPACITOR	100pF 50V J		R4510	NRSA63J-3R3X	MG RESISTOR	3.3Ω 1/16W J	
C9311	NCB21HK-104X	C CAPACITOR	0.1uF 50V K		R4511	NRSA63J-223X	MG RESISTOR	22kΩ 1/16W J	
C9401	NCS31HJ-221X	C CAPACITOR	220pF 50V J		R4513	NRSA63J-0R0X	MG RESISTOR	0Ω 1/16W J	
C9402	NCB31HK-103X	C CAPACITOR	0.01uF 50V K		R4514	NRSA63J-0R0X	MG RESISTOR	0Ω 1/16W J	
C9403	NCB21HK-104X	C CAPACITOR	0.1uF 50V K		R4703	NRSA63J-391X	MG RESISTOR	390Ω 1/16W J	
C9431	NEA71CM-106X	E CAPACITOR	10uF 16V M		R4706	NRSA63J-391X	MG RESISTOR	390Ω 1/16W J	
C9432	NCB31CK-104X	C CAPACITOR	0.1uF 16V K		R4708	NRSA63J-102X	MG RESISTOR	1kΩ 1/16W J	
R4101	NRSA63J-332X	MG RESISTOR	3.3kΩ 1/16W J		R4710	NRSA63J-222X	MG RESISTOR	2.2kΩ 1/16W J	
R4102	NRSA63J-222X	MG RESISTOR	2.2kΩ 1/16W J		R4801	NRSA63J-222X	MG RESISTOR	2.2kΩ 1/16W J	
R4103	NRSA63J-222X	MG RESISTOR	2.2kΩ 1/16W J		R4802	NRSA63J-222X	MG RESISTOR	2.2kΩ 1/16W J	
R4104	NRSA63J-332X	MG RESISTOR	3.3kΩ 1/16W J		R4803	NRSA63J-222X	MG RESISTOR	2.2kΩ 1/16W J	
R4105	NRSA63J-102X	MG RESISTOR	1kΩ 1/16W J		R4804	NRSA63J-100X	MG RESISTOR	10Ω 1/16W J	
R4106	NRSA63J-220X	MG RESISTOR	22Ω 1/16W J		R4901	NRSA63J-102X	MG RESISTOR	1kΩ 1/16W J	
R4107	NRSA63J-222X	MG RESISTOR	2.2kΩ 1/16W J		R4911	NRSA63J-102X	MG RESISTOR	1kΩ 1/16W J	
R4108	NRSA63J-272X	MG RESISTOR	2.7kΩ 1/16W J		R4913	NRS144J-151X	MG RESISTOR	150Ω 1/4W J	
R4111	NRSA63J-222X	MG RESISTOR	2.2kΩ 1/16W J		R4916	NRSA63J-513X	MG RESISTOR	51kΩ 1/16W J	
R4112	NRSA63J-392X	MG RESISTOR	3.9kΩ 1/16W J		R4918	NRSA63J-512X	MG RESISTOR	5.1kΩ 1/16W J	
R4114	NRSA63J-102X	MG RESISTOR	1kΩ 1/16W J		R4919	NRSA63J-104X	MG RESISTOR	100kΩ 1/16W J	
R4115	NRSA63J-223X	MG RESISTOR	22kΩ 1/16W J		R7501	NRSA63J-470X	MG RESISTOR	47Ω 1/16W J	
R4116	NRSA63J-683X	MG RESISTOR	68kΩ 1/16W J		R7502	NRSA63J-470X	MG RESISTOR	47Ω 1/16W J	
R4117	NRSA63J-473X	MG RESISTOR	47kΩ 1/16W J		R9077	NRSA63J-103X	MG RESISTOR	10kΩ 1/16W J	
R4121	NRSA63J-223X	MG RESISTOR	22kΩ 1/16W J		R9078	NRSA63J-103X	MG RESISTOR	10kΩ 1/16W J	
R4131	NRSA63J-752X	MG RESISTOR	7.5kΩ 1/16W J		R9080	NRSA63J-822X	MG RESISTOR	8.2kΩ 1/16W J	
R4150	NRSA63J-0R0X	MG RESISTOR	0Ω 1/16W J		△ R9101	QRZ9037-335	COMP RESISTOR	3.3MΩ 1/2W K	
R4155	NRSA63J-102X	MG RESISTOR	1kΩ 1/16W J		△ R9102	QRZ9037-335	COMP RESISTOR	3.3MΩ 1/2W K	
R4157	NRSA63J-332X	MG RESISTOR	3.3kΩ 1/16W J	X1C,X1J	R9111	QRJ146J-154X	UNF C RESISTOR	150kΩ 1/4W J	
R4157	NRSA63J-222X	MG RESISTOR	2.2kΩ 1/16W J	X3C,X3J	R9112	QRJ146J-154X	UNF C RESISTOR	150kΩ 1/4W J	
R4161	NRSA63J-304X	MG RESISTOR	300kΩ 1/16W J		R9113	QRJ146J-154X	UNF C RESISTOR	150kΩ 1/4W J	
R4163	NRSA63J-153X	MG RESISTOR	15kΩ 1/16W J		R9114	QRL01DJ-333X	OMF RESISTOR	33kΩ 1W J	
R4164	NRSA63J-102X	MG RESISTOR	1kΩ 1/16W J		R9115	QRL01DJ-333X	OMF RESISTOR	33kΩ 1W J	
R4165	NRSA63J-224X	MG RESISTOR	220kΩ 1/16W J		R9117	NRSA63J-330X	MG RESISTOR	33Ω 1/16W J	
R4166	NRSA63J-821X	MG RESISTOR	820Ω 1/16W J		R9118	NRSA63J-221X	MG RESISTOR	220Ω 1/16W J	
R4177	NRSA63J-473X	MG RESISTOR	47kΩ 1/16W J		R9119	QRT017J-R47	MF RESISTOR	0.47Ω 1W J	
R4180	NRSA63J-0R0X	MG RESISTOR	0Ω 1/16W J		R9120	QRT017J-R33	MF RESISTOR	0.33Ω 1W J	
R4181	NRSA63J-0R0X	MG RESISTOR	0Ω 1/16W J		R9121	NRSA63J-332X	MG RESISTOR	3.3kΩ 1/16W J	
R4201	NRSA63J-332X	MG RESISTOR	3.3kΩ 1/16W J		R9122	NRSA63J-153X	MG RESISTOR	15kΩ 1/16W J	
R4202	NRSA63J-222X	MG RESISTOR	2.2kΩ 1/16W J		R9123	NRSA63J-152X	MG RESISTOR	1.5kΩ 1/16W J	
R4203	NRSA63J-222X	MG RESISTOR	2.2kΩ 1/16W J		R9125	NRSA63J-154X	MG RESISTOR	150kΩ 1/16W J	
R4204	NRSA63J-332X	MG RESISTOR	3.3kΩ 1/16W J		R9201	NRSA63J-272X	MG RESISTOR	2.7kΩ 1/16W J	
R4205	NRSA63J-102X	MG RESISTOR	1kΩ 1/16W J		△ R9301	QRZ9006-4R7X	FUSI RESISTOR	4.7Ω 1/4W J	
R4206	NRSA63J-220X	MG RESISTOR	22Ω 1/16W J		R9302	NRSA63J-223X	MG RESISTOR	22kΩ 1/16W J	
R4207	NRSA63J-222X	MG RESISTOR	2.2kΩ 1/16W J		R9303	NRSA02J-183X	MG RESISTOR	18kΩ 1/10W J	
R4208	NRSA63J-272X	MG RESISTOR	2.7kΩ 1/16W J		R9306	NRSA63J-103X	MG RESISTOR	10kΩ 1/16W J	
R4211	NRSA63J-222X	MG RESISTOR	2.2kΩ 1/16W J		R9307	NRSA63J-332X	MG RESISTOR	3.3kΩ 1/16W J	
R4212	NRSA63J-392X	MG RESISTOR	3.9kΩ 1/16W J		R9308	NRSA63J-182X	MG RESISTOR	1.8kΩ 1/16W J	
R4214	NRSA63J-102X	MG RESISTOR	1kΩ 1/16W J		R9309	NRSA63J-331X	MG RESISTOR	330Ω 1/16W J	
R4215	NRSA63J-223X	MG RESISTOR	22kΩ 1/16W J		R9310	NRSA02J-183X	MG RESISTOR	18kΩ 1/10W J	
R4216	NRSA63J-683X	MG RESISTOR	68kΩ 1/16W J		R9311	NRSA02J-183X	MG RESISTOR	18kΩ 1/10W J	
					R9312	NRSA02J-0R0X	MG RESISTOR	0Ω 1/10W J	

△ Symbol No.	Part No.	Part Name	Description	Local
△ R9313	QRJ146J-6R8X	UNF C RESISTOR	6.8Ω 1/4W J	
R9401	NRSA63J-362X	MG RESISTOR	3.6kΩ 1/16W J	
R9402	NRSA63J-153X	MG RESISTOR	15kΩ 1/16W J	
R9403	NRSA63J-103X	MG RESISTOR	10kΩ 1/16W J	
R9404	NRSA63J-223X	MG RESISTOR	22kΩ 1/16W J	
R9405	NRSA63J-472X	MG RESISTOR	4.7kΩ 1/16W J	
R9406	NRSA63J-473X	MG RESISTOR	47kΩ 1/16W J	
R9407	NRSA63J-472X	MG RESISTOR	4.7kΩ 1/16W J	
R9408	NRSA63J-104X	MG RESISTOR	100kΩ 1/16W J	
R9409	NRSA63J-102X	MG RESISTOR	1kΩ 1/16W J	
R9411	QRZ9006-4R7X	FUSI RESISTOR	4.7Ω 1/4W J	
R9425	NRSA63J-0R0X	MG RESISTOR	0Ω 1/16W J	
R9431	NRSA63J-222X	MG RESISTOR	2.2kΩ 1/16W J	
△ R9601	QRL027J-471	OMF RESISTOR	470Ω 2W J	
R9602	NRSA02J-183X	MG RESISTOR	18kΩ 1/10W J	
△ R9603	QRL027J-471	OMF RESISTOR	470Ω 2W J	
R9604	NRSA02J-183X	MG RESISTOR	18kΩ 1/10W J	
△ R9605	QRL027J-471	OMF RESISTOR	470Ω 2W J	
R9712	NRSA63J-0R0X	MG RESISTOR	0Ω 1/16W J	
R9912	NRS181J-0R0X	MG RESISTOR	0Ω 1/8W J	
R9998	NRSA63J-0R0X	MG RESISTOR	0Ω 1/16W J	
△ L4101	QQL231K-470Y	COIL	47uH K	
△ L4201	QQL231K-470Y	COIL	47uH K	
△ L4301	QQL231K-470Y	COIL	47uH K	
△ L9101	QQR1336-001	LINE FILTER		
L9201	NQR0353-003X	FERRITE BEADS		
L9202	NQL71EM-220X	C.INDUCTOR	22uH M	
L9301	QQL01BK-R22Z	I0COIL	0.22uH K	
L9311	NQR0355-001X	FERRITE BEADS		
L9312	NQR0355-001X	FERRITE BEADS		
L9313	NQR0355-001X	FERRITE BEADS		
L9314	NQR0389-003X	FERRITE BEADS		
L9400	NQR0389-003X	FERRITE BEADS		
L9411	NQR0389-003X	FERRITE BEADS		
L9412	NQR0389-003X	FERRITE BEADS		
L9422	NQR0355-001X	FERRITE BEADS		
L9432	NQR0355-001X	FERRITE BEADS		
L9711	NQR0355-001X	FERRITE BEADS		
L9712	NQR0389-003X	FERRITE BEADS		
L9911	NQR0355-001X	FERRITE BEADS		
△ T9200	QQS0190-001	SW TRANSF		
CN451	QGA2001C1-08	CONNECTOR	W-B (1-8)	
CN452	QGA2501C1-02	CONNECTOR	W-B (1-2)	
CN461	QGA2001F2-05X	CONNECTOR	W-B (1-5)	
CN751	QGF1036C1-09	CONNECTOR	FFC/FPC (1-9)	
CN893	QGA2501C1-06	CONNECTOR	W-B (1-6)	
CN895	QGA2008C1-26	CONNECTOR	W-B (1-26)	
△ CN900	QGA7901F2-02	CONNECTOR	W-B (1-2)	
CN901	QGB2024J1-06S	CONNECTOR	B-B (1-6)	
CN902	QGB1214K1-12S	CONNECTOR	B-B (1-12)	
CN903	QGF1036C1-09	CONNECTOR	FFC/FPC (1-9)	
CN931	QGB2510J1-12	CONNECTOR	B-B (1-12)	
CN942	QGA2001C1-02	CONNECTOR	W-B (1-2)	
CN951	QGB1214K1-06S	CONNECTOR	B-B (1-6)	
CN971	QGB2510K2-04	CONNECTOR	B-B (1-4)	
△ CP931	ICP-S1.2-X	IC PROTECTOR	1.2A	
D1751	QLF0108-001	FL TUBE		
EB431	E409182-001SM	GRAND TERMINAL		
EP902	QNZ0136-001Z	EARTH PLATE		
EP903	QNZ0136-001Z	EARTH PLATE		
EP904	QNZ0136-001Z	EARTH PLATE		
HS901	LV43233-002A	HEAT SINK		
HS902	LV43250-001A	HEAT SINK		
J4301	QNS0170-001	HEADPHONE JACK		
J4311	QNS0077-002	3.5 JACK		
J4321	QNN0284-001	PIN JACK		
J4341	GP1FA553TZ	OPT TRANSMITTER		
K4501	QQR0779-001Z	COIL		
S4501	QSW0518-001	PUSH SW		
S4502	QSW0518-001	PUSH SW		
△ TH901	QAD0141-8R0	THERMISTOR	8Ω	
TH910	NAD0025-333X	N THERMISTOR	33kΩ	
WR311	QJK034-042204	SIN CR C-B WIRE		
WR901	QUB070-15DMPP	SIN TWIST WIRE		
△ Z9101	QNG0003-001Z	FUSE CLIP		
△ Z9102	QNG0003-001Z	FUSE CLIP		

Micon board

Block No. [0][2][0][0]

△ Symbol No.	Part No.	Part Name	Description	Local
IC111	NJM4580M-X	IC		Ope. Amp
IC112	NJU7109F3-X	IC		
IC113	TC7S00F-X	IC		
IC121	NJM4580M-X	IC		Ope. Amp
IC122	NJU7109F3-X	IC		
IC123	TC7S00F-X	IC		
IC131	NJM2115V-W	IC		Regulator
△ IC132	STA505-X	IC		
IC301	TC74HCU04AF-W	IC		
IC302	MM74HC00SJ-X	IC		
△ IC303	NJM78L05A-T	IC		
IC731	GP1UM271XK	IR DETECT UNIT		38kHz
IC801	MN101C49KKX1	IC(MCU)		
△ IC991	PQ20RX11	IC		
Q1101	UN211E-X	DIGI TRANSISTOR		
Q1102	UN211E-X	DIGI TRANSISTOR		
Q1103	2SD1328/ST/-X	TRANSISTOR		
Q1104	UMY1N-W	TRANSISTOR		
Q1201	UN211E-X	DIGI TRANSISTOR		
Q1202	UN211E-X	DIGI TRANSISTOR		
Q1203	2SD1328/ST/-X	TRANSISTOR		
Q1204	UMY1N-W	TRANSISTOR		
Q3002	KTA1267/YG/T	TRANSISTOR		
Q3003	2SC2812N/6/-X	TRANSISTOR		
Q3004	2SC2812N/6/-X	TRANSISTOR		
Q3005	2SC2812N/6/-X	TRANSISTOR		
Q3006	2SB709A/Q/-X	TRANSISTOR		
Q3007	UN2112-X	TRANSISTOR		
Q4701	2SC2812N/6/-X	TRANSISTOR		
Q4702	2SC2812N/6/-X	TRANSISTOR		
Q4703	2SC2812N/6/-X	TRANSISTOR		
Q7202	2SC2812N/6/-X	TRANSISTOR		
Q7203	2SC2812N/6/-X	TRANSISTOR		
Q7204	2SC2812N/6/-X	TRANSISTOR		
Q7205	2SC2812N/6/-X	TRANSISTOR		
Q7301	2SC2812N/6/-X	TRANSISTOR		
Q7302	2SC2812N/6/-X	TRANSISTOR		
Q8301	2SC2814/4-5/-X	TRANSISTOR		
Q8302	2SC2814/4-5/-X	TRANSISTOR		
Q8401	2SC2812N/6/-X	TRANSISTOR		
Q8402	2SC2812N/6/-X	TRANSISTOR		
Q8403	UN2214-X	TRANSISTOR		
Q8404	2SC2812N/6/-X	TRANSISTOR		
Q8405	2SB709A/Q/-X	TRANSISTOR		
Q8406	UN2212-X	TRANSISTOR		
Q8611	CPH3121-X	TRANSISTOR		
Q8612	2SC2812N/6/-X	TRANSISTOR		
Q8701	2SB709A/Q/-X	TRANSISTOR		
Q8702	UN2211-X	TRANSISTOR		
Q8801	UN2213-X	TRANSISTOR		
Q8802	UN2214-X	TRANSISTOR		
Q8803	UN2213-X	TRANSISTOR		
Q8901	2SA1362/G/-X	TRANSISTOR		
Q8902	UN2211-X	TRANSISTOR		
△ Q9421	2SB1187/EF/	TRANSISTOR		
Q9422	2SD601A/QR/-X	TRANSISTOR		
Q9423	2SD601A/QR/-X	TRANSISTOR		
△ Q9701	2SA1359/OY/	TRANSISTOR		
Q9702	2SC2785/FE/-T	TRANSISTOR		
Q9703	UN2212-X	TRANSISTOR		
Q9704	2SD601A/QR/-X	TRANSISTOR		
Q9705	2SA1037AK/R/-X	TRANSISTOR		
Q9706	UN2212-X	TRANSISTOR		
Q9707	UN2212-X	TRANSISTOR		
D1104	MA152WK-X	SI DIODE		
D1203	UDZS6.8B-X	SI DIODE		
D1204	1SS355-X	SI DIODE		
D3001	MA152WK-X	SI DIODE		
D3002	1SS355-X	SI DIODE		
D3003	MA152WK-X	SI DIODE		
D3004	1SS355-X	SI DIODE		
D4701	SELU1E54CM-P	LED		

△ Symbol No.	Part No.	Part Name	Description	Local	△ Symbol No.	Part No.	Part Name	Description	Local
D4702	UDZS6.8B-X	SI DIODE			C1222	QTE1C06-336Z	E CAPACITOR	33uF 16V	
D4703	SELU1E54CM-P	LED			C1223	QTE1C39-106Z	E CAPACITOR	10uF 16V	
D4704	UDZS6.8B-X	SI DIODE			C1224	NCS31HJ-101X	C CAPACITOR	100pF 50V J	
D7202	SML-310VT/JK/-X	LED			C1225	QFVF1HJ-684Z	MF CAPACITOR	0.68uF 50V J	
D7203	SML-310VT/JK/-X	LED			C1226	NCB21HK-104X	C CAPACITOR	0.1uF 50V K	
D7204	SML-310VT/JK/-X	LED			C1227	NCB21HK-104X	C CAPACITOR	0.1uF 50V K	
D7205	SML-310VT/JK/-X	LED			C1228	NCB21HK-104X	C CAPACITOR	0.1uF 50V K	
D7301	LNJ308G8J-X	LED			C1229	NCB21HK-104X	C CAPACITOR	0.1uF 50V K	
D7302	EL-19-21SDRC/-X	LED			C1230	NCB21HK-104X	C CAPACITOR	0.1uF 50V K	
D8001	MA152WK-X	SI DIODE			C1232	NCS31HJ-181X	C CAPACITOR	180pF 50V J	
D8002	1SS355-X	SI DIODE			△ C1233	NCS31HJ-471X	C CAPACITOR	470pF 50V J	
D8004	MA152WA-X	DIODE			△ C1234	NCS31HJ-471X	C CAPACITOR	470pF 50V J	
D8005	1SS355-X	SI DIODE			△ C1235	NCB31HK-102X	C CAPACITOR	1000pF 50V K	
D8006	MA152WK-X	SI DIODE			△ C1236	NCB31HK-332X	C CAPACITOR	3300pF 50V K	
D8008	1SS355-X	SI DIODE			C1237	NCB21CK-105X	C CAPACITOR	1uF 16V K	
D8012	1N4148WS-X	DIODE C.M			△ C1238	NCB31HK-102X	C CAPACITOR	1000pF 50V K	
D8611	MA3033/H/-X	DIODE			△ C1239	NCB31HK-102X	C CAPACITOR	1000pF 50V K	
D8612	1N4148WS-X	DIODE C.M			△ C1240	NCB31HK-102X	C CAPACITOR	1000pF 50V K	
D8702	1N4148WS-X	DIODE C.M			C1301	NCB30JK-105X	C CAPACITOR	1uF 6.3V K	
D8703	1N4148WS-X	DIODE C.M			C1302	NCB31CK-104X	C CAPACITOR	0.1uF 16V K	
D8802	1N4148WS-X	DIODE C.M			C1303	NCB31CK-104X	C CAPACITOR	0.1uF 16V K	
D8901	1SS355-X	SI DIODE			C1304	NCB31CK-104X	C CAPACITOR	0.1uF 16V K	
D9421	UDZS5.6B-X	Z DIODE	1.5kΩ	1/10W J	C1305	NCB31EK-104X	C CAPACITOR	0.1uF 25V K	
D9422	UDZS13B-X	Z DIODE			C1306	NCB31EK-104X	C CAPACITOR	0.1uF 25V K	
D9423	GS1J-X	DIODE			△ C1307	QTMN1EM-477Z	E CAPACITOR	470uF 25V M	
D9425	GS1J-X	DIODE			C1308	QTE1E06-226Z	E CAPACITOR	22uF 25V	
D9426	GS1J-X	DIODE			C1309	NFV41HJ-333X	C CAPACITOR	0.033uF 50V J	
D9701	SFPJ-73-W	SB DIODE			C1310	NCB31CK-104X	C CAPACITOR	0.1uF 16V K	
D9702	UDZS8.2B-X	Z DIODE			C3002	NCS31HJ-331X	C CAPACITOR	330pF 50V J	
D9703	1N4148WS-X	DIODE C.M			C3003	NCS31HJ-331X	C CAPACITOR	330pF 50V J	
D9704	UDZS10B-X	Z DIODE			C3004	NCS31HJ-331X	C CAPACITOR	330pF 50V J	
D9905	UDZS13B-X	Z DIODE			C3005	NCS31HJ-331X	C CAPACITOR	330pF 50V J	
C1101	QTE1V06-106Z	E CAPACITOR	10uF	35V	C3006	NCB30JK-105X	C CAPACITOR	1uF 6.3V K	
C1102	NCB31HK-222X	C CAPACITOR	2200pF	50V K	C3007	NCB30JK-105X	C CAPACITOR	1uF 6.3V K	
C1103	NCB31HK-222X	C CAPACITOR	2200pF	50V K	C3008	NCB31HK-331X	C CAPACITOR	330pF 50V K	
C1104	NCB31HK-471X	C CAPACITOR	470pF	50V K	C3009	NCB31HK-331X	C CAPACITOR	330pF 50V K	
C1105	QTE1V39-475Z	E CAPACITOR	4.7uF	35V	C3010	NCS31HJ-470X	C CAPACITOR	47pF 50V J	
C1107	NCB31HK-122X	C CAPACITOR	1200pF	50V K	C3011	NCB21EK-104X	C CAPACITOR	0.1uF 25V K	
C1108	NCB31HK-331X	C CAPACITOR	330pF	50V K	C3012	QFVF1HJ-334Z	MF CAPACITOR	0.33uF 50V J	
C1109	NCS31HJ-220X	C CAPACITOR	22pF	50V J	C3013	QETN1EM-107Z	E CAPACITOR	100uF 25V M	
C1110	NCS31HJ-220X	C CAPACITOR	22pF	50V J	C3015	QEK1HM-106Z	E CAPACITOR	10uF 50V M	
C1111	NCS31HJ-220X	C CAPACITOR	22pF	50V J	C3016	QEK1HM-106Z	E CAPACITOR	10uF 50V M	
C1113	NCB30JK-105X	C CAPACITOR	1uF	6.3V K	C3017	QEK1HM-106Z	E CAPACITOR	10uF 50V M	
C1114	NCB21HK-104X	C CAPACITOR	0.1uF	50V K	C3018	QEK1HM-106Z	E CAPACITOR	10uF 50V M	
C1115	NCB21HK-104X	C CAPACITOR	0.1uF	50V K	C3019	QFVF1HJ-474Z	MF CAPACITOR	0.47uF 50V J	
C1118	NCB21HK-104X	C CAPACITOR	0.1uF	50V K	C3020	QFVF1HJ-474Z	MF CAPACITOR	0.47uF 50V J	
C1123	QTE1C39-106Z	E CAPACITOR	10uF	16V	C3021	QFVF1HJ-474Z	MF CAPACITOR	0.47uF 50V J	
C1124	NCS31HJ-101X	C CAPACITOR	100pF	50V J	C3022	QFVF1HJ-474Z	MF CAPACITOR	0.47uF 50V J	
C1125	QFVF1HJ-684Z	MF CAPACITOR	0.68uF	50V J	C3025	QERF1CM-106Z	E CAPACITOR	10uF 16V M	
C1126	NCB21HK-104X	C CAPACITOR	0.1uF	50V K	△ C3026	NCB31CK-103X	C CAPACITOR	0.01uF 16V K	
C1127	NCB21HK-104X	C CAPACITOR	0.1uF	50V K	△ C3027	NCB31CK-103X	C CAPACITOR	0.01uF 16V K	
C1128	NCB21HK-104X	C CAPACITOR	0.1uF	50V K	△ C3028	NCB31CK-103X	C CAPACITOR	0.01uF 16V K	
C1129	NCB21HK-104X	C CAPACITOR	0.1uF	50V K	C3030	NCS31HJ-101X	C CAPACITOR	100pF 50V J	
C1130	NCB21HK-104X	C CAPACITOR	0.1uF	50V K	C3031	QTE1V06-106Z	E CAPACITOR	10uF 35V	
C1132	NCS31HJ-181X	C CAPACITOR	180pF	50V J	C3033	NCB31AK-474X	C CAPACITOR	0.47uF 10V K	
△ C1133	NCS31HJ-471X	C CAPACITOR	470pF	50V J	C3034	NCB30JK-105X	C CAPACITOR	1uF 6.3V K	
△ C1134	NCS31HJ-471X	C CAPACITOR	470pF	50V J	C7301	NEA71CM-107X	E CAPACITOR	100uF 16V M	
△ C1135	NCB31HK-102X	C CAPACITOR	1000pF	50V K	C8001	NCF21CZ-105X	C CAPACITOR	1uF 16V Z	
△ C1136	NCB31HK-332X	C CAPACITOR	3300pF	50V K	C8002	NCS31HJ-220X	C CAPACITOR	22pF 50V J	
C1137	NCB21CK-105X	C CAPACITOR	1uF	16V K	C8003	NCS31HJ-220X	C CAPACITOR	22pF 50V J	
△ C1138	NCB31HK-102X	C CAPACITOR	1000pF	50V K	C8004	NCB31CK-104X	C CAPACITOR	0.1uF 16V K	
△ C1139	NCB31HK-102X	C CAPACITOR	1000pF	50V K	C8005	NEA71CM-107X	E CAPACITOR	100uF 16V M	
△ C1140	NCB31HK-102X	C CAPACITOR	1000pF	50V K	C8006	QETN1AM-108Z	E CAPACITOR	1000uF 10V M	
C1201	QTE1V06-106Z	E CAPACITOR	10uF	35V	C8007	NEA71CM-107X	E CAPACITOR	100uF 16V M	
C1202	NCB31HK-222X	C CAPACITOR	2200pF	50V K	C8008	NCS31HJ-101X	C CAPACITOR	100pF 50V J	
C1203	NCB31HK-222X	C CAPACITOR	2200pF	50V K	C8009	NCS31HJ-101X	C CAPACITOR	100pF 50V J	
C1204	NCB31HK-471X	C CAPACITOR	470pF	50V K	C8010	NCB31HK-103X	C CAPACITOR	0.01uF 50V K	
C1205	QTE1V39-475Z	E CAPACITOR	4.7uF	35V	C8011	NCB31HK-103X	C CAPACITOR	0.01uF 50V K	
C1207	NCB31HK-122X	C CAPACITOR	1200pF	50V K	C8012	NCB31CK-104X	C CAPACITOR	0.1uF 16V K	
C1208	NCB31HK-331X	C CAPACITOR	330pF	50V K	C8013	NCB31CK-104X	C CAPACITOR	0.1uF 16V K	
C1209	NCS31HJ-220X	C CAPACITOR	22pF	50V J	C8014	NCB31CK-104X	C CAPACITOR	0.1uF 16V K	
C1210	NCS31HJ-220X	C CAPACITOR	22pF	50V J	C8015	NCB31CK-104X	C CAPACITOR	0.1uF 16V K	
C1211	NCS31HJ-220X	C CAPACITOR	22pF	50V J	C8017	NCB31HK-152X	C CAPACITOR	1500pF 50V K	
C1213	NCB30JK-105X	C CAPACITOR	1uF	6.3V K	C8018	NCB31HK-152X	C CAPACITOR	1500pF 50V K	
C1214	NCB21HK-104X	C CAPACITOR	0.1uF	50V K	C8101	NCB31HK-562X	C CAPACITOR	5600pF 50V K	
C1215	NCB21HK-104X	C CAPACITOR	0.1uF	50V K	C8201	NCB31HK-562X	C CAPACITOR	5600pF 50V K	
C1218	NCB21HK-104X	C CAPACITOR	0.1uF	50V K	C8301	NCS31HJ-102X	C CAPACITOR	1000pF 50V J	
					C8302	NCS31HJ-102X	C CAPACITOR	1000pF 50V J	

△ Symbol No.	Part No.	Part Name	Description	Local	△ Symbol No.	Part No.	Part Name	Description	Local
C8303	NCS31HJ-470X	C CAPACITOR	47pF 50V J		R1218	NRSA63J-102X	MG RESISTOR	1kΩ 1/16W J	
C8304	NCS31HJ-270X	C CAPACITOR	27pF 50V J		R1219	NRSA63J-222X	MG RESISTOR	2.2kΩ 1/16W J	
C8305	NCS31HJ-330X	C CAPACITOR	33pF 50V J		R1220	NRSA63J-222X	MG RESISTOR	2.2kΩ 1/16W J	
C8306	NCS31HJ-470X	C CAPACITOR	47pF 50V J		R1222	NRSA63J-104X	MG RESISTOR	100kΩ 1/16W J	
C8307	NCS31HJ-102X	C CAPACITOR	1000pF 50V J		R1223	NRSA63J-101X	MG RESISTOR	100Ω 1/16W J	
C8401	NCB31HK-103X	C CAPACITOR	0.01uF 50V K		R1224	NRSA63J-101X	MG RESISTOR	100Ω 1/16W J	
C8601	NCB31CK-104X	C CAPACITOR	0.1uF 16V K		△ R1225	NRS016J-470X	MG RESISTOR	47Ω 1W J	
C8611	QTE1C06-476Z	E CAPACITOR	47uF 16V		△ R1226	NRS016J-470X	MG RESISTOR	47Ω 1W J	
C8612	QTE1C39-106Z	E CAPACITOR	10uF 16V		R1227	NRSA63J-103X	MG RESISTOR	10kΩ 1/16W J	
C8802	NEA71EM-475X	E CAPACITOR	4.7uF 25V M		R1228	NRSA63J-472X	MG RESISTOR	4.7kΩ 1/16W J	
C8901	NCB31HK-222X	C CAPACITOR	2200pF 50V K		R1229	NRSA63J-471X	MG RESISTOR	470Ω 1/16W J	
C9421	NCB21HK-104X	C CAPACITOR	0.1uF 50V K		R1231	NRSA63J-562X	MG RESISTOR	5.6kΩ 1/16W J	
C9422	QTMN1EM-227Z	E CAPACITOR	220uF 25V M		R1232	NRSA63J-562X	MG RESISTOR	5.6kΩ 1/16W J	
C9423	QTMN1EM-107Z	E CAPACITOR	100uF 25V M		R1233	NRSA63J-153X	MG RESISTOR	15kΩ 1/16W J	
C9424	NCB21HK-104X	C CAPACITOR	0.1uF 50V K		R1234	NRSA63J-822X	MG RESISTOR	8.2kΩ 1/16W J	
C9701	QTMN1EM-107Z	E CAPACITOR	100uF 25V M		R1235	NRSA63J-222X	MG RESISTOR	2.2kΩ 1/16W J	
C9702	NCB31HK-103X	C CAPACITOR	0.01uF 50V K		R1236	NRSA63J-332X	MG RESISTOR	3.3kΩ 1/16W J	
C9703	NCB31HK-103X	C CAPACITOR	0.01uF 50V K		△ R1242	NRSA02J-100X	MG RESISTOR	10Ω 1/10W J	
C9704	QTMN1HM-105Z	E CAPACITOR	1uF 50V M		△ R1243	NRSA02J-100X	MG RESISTOR	10Ω 1/10W J	
C9705	NCS31HJ-151X	C CAPACITOR	150pF 50V J		R1301	NRSA63F-102X	MG RESISTOR	1kΩ 1/16W F	
C9706	NCB31HK-103X	C CAPACITOR	0.01uF 50V K		R1302	NRSA63F-102X	MG RESISTOR	1kΩ 1/16W F	
C9707	QTMN1CM-107Z	E CAPACITOR	100uF 16V M		R1303	NRSA63J-103X	MG RESISTOR	10kΩ 1/16W J	
C9708	NCB31HK-103X	C CAPACITOR	0.01uF 50V K		R1304	NRSA63J-103X	MG RESISTOR	10kΩ 1/16W J	
C9901	NCB21HK-104X	C CAPACITOR	0.1uF 50V K		R1308	NRSA63J-102X	MG RESISTOR	1kΩ 1/16W J	
C9902	QTMN1EM-476Z	E CAPACITOR	47uF 25V M		R1309	NRSA63J-272X	MG RESISTOR	2.7kΩ 1/16W J	
C9903	QTMN1EM-476Z	E CAPACITOR	47uF 25V M		R1310	NRSA63J-182X	MG RESISTOR	1.8kΩ 1/16W J	
C9904	NCB21HK-104X	C CAPACITOR	0.1uF 50V K		R1311	NRSA63J-272X	MG RESISTOR	2.7kΩ 1/16W J	
R1101	NRSA63J-152X	MG RESISTOR	1.5kΩ 1/16W J	X1C,X1J	R3003	NRSA63J-105X	MG RESISTOR	1MΩ 1/16W J	
R1101	NRSA63J-182X	MG RESISTOR	1.8kΩ 1/16W J	X3C,X3J	R3004	NRSA63J-562X	MG RESISTOR	5.6kΩ 1/16W J	
R1102	NRSA63J-113X	MG RESISTOR	11kΩ 1/16W J		R3005	NRSA63J-105X	MG RESISTOR	1MΩ 1/16W J	
R1103	NRSA63J-821X	MG RESISTOR	820Ω 1/16W J		R3006	NRSA63J-562X	MG RESISTOR	5.6kΩ 1/16W J	
R1104	NRSA63J-103X	MG RESISTOR	10kΩ 1/16W J		R3007	NRSA63J-122X	MG RESISTOR	1.2kΩ 1/16W J	
R1105	NRSA63J-103X	MG RESISTOR	10kΩ 1/16W J		R3008	NRSA63J-681X	MG RESISTOR	680Ω 1/16W J	
R1106	NRSA63J-474X	MG RESISTOR	470kΩ 1/16W J		R3009	NRSA63J-681X	MG RESISTOR	680Ω 1/16W J	
R1107	NRSA63J-103X	MG RESISTOR	10kΩ 1/16W J		△ R3010	QRK126J-271X	UNF C RESISTOR	270Ω 1/2W J	
R1108	NRSA63J-331X	MG RESISTOR	330Ω 1/16W J		R3011	NRSA63J-472X	MG RESISTOR	4.7kΩ 1/16W J	
R1110	NRSA63J-821X	MG RESISTOR	820Ω 1/16W J		R3012	NRSA63J-472X	MG RESISTOR	4.7kΩ 1/16W J	
R1111	NRSA63J-822X	MG RESISTOR	8.2kΩ 1/16W J		R3013	NRSA63J-472X	MG RESISTOR	4.7kΩ 1/16W J	
R1112	NRSA63J-562X	MG RESISTOR	5.6kΩ 1/16W J		R3014	NRSA63J-103X	MG RESISTOR	10kΩ 1/16W J	
R1113	NRSA63J-562X	MG RESISTOR	5.6kΩ 1/16W J		R3015	NRSA63J-822X	MG RESISTOR	8.2kΩ 1/16W J	
R1115	NRSA63J-223X	MG RESISTOR	22kΩ 1/16W J		R3016	NRSA63J-102X	MG RESISTOR	1kΩ 1/16W J	
R1116	NRSA63J-223X	MG RESISTOR	22kΩ 1/16W J		R3017	NRSA63J-102X	MG RESISTOR	1kΩ 1/16W J	
R1117	NRSA63J-183X	MG RESISTOR	18kΩ 1/16W J		R3018	NRSA63J-102X	MG RESISTOR	1kΩ 1/16W J	
R1118	NRSA63J-102X	MG RESISTOR	1kΩ 1/16W J		R3019	NRSA63J-102X	MG RESISTOR	1kΩ 1/16W J	
R1119	NRSA63J-222X	MG RESISTOR	2.2kΩ 1/16W J		△ R3020	QRJ146J-221X	UNF C RESISTOR	220Ω 1/4W J	
R1120	NRSA63J-222X	MG RESISTOR	2.2kΩ 1/16W J		△ R3022	QRK126J-271X	UNF C RESISTOR	270Ω 1/2W J	
R1122	NRSA63J-104X	MG RESISTOR	100kΩ 1/16W J		R3023	NRSA63J-472X	MG RESISTOR	4.7kΩ 1/16W J	
R1123	NRSA63J-101X	MG RESISTOR	100Ω 1/16W J		R3025	NRSA63J-472X	MG RESISTOR	4.7kΩ 1/16W J	
R1124	NRSA63J-101X	MG RESISTOR	100Ω 1/16W J		R3027	NRSA63J-472X	MG RESISTOR	4.7kΩ 1/16W J	
△ R1125	NRS016J-470X	MG RESISTOR	47Ω 1W J		R3029	NRSA63J-472X	MG RESISTOR	4.7kΩ 1/16W J	
△ R1126	NRS016J-470X	MG RESISTOR	47Ω 1W J		R3031	NRSA63J-102X	MG RESISTOR	1kΩ 1/16W J	
R1127	NRSA63J-103X	MG RESISTOR	10kΩ 1/16W J		R3032	NRSA63J-102X	MG RESISTOR	1kΩ 1/16W J	
R1129	NRSA63J-471X	MG RESISTOR	470Ω 1/16W J		R3033	NRSA63J-102X	MG RESISTOR	1kΩ 1/16W J	
R1131	NRSA63J-562X	MG RESISTOR	5.6kΩ 1/16W J		R3034	NRSA63J-102X	MG RESISTOR	1kΩ 1/16W J	
R1132	NRSA63J-562X	MG RESISTOR	5.6kΩ 1/16W J		R3035	NRSA63J-103X	MG RESISTOR	10kΩ 1/16W J	
R1133	NRSA63J-153X	MG RESISTOR	15kΩ 1/16W J		R3036	NRSA63J-224X	MG RESISTOR	220kΩ 1/16W J	
R1134	NRSA63J-822X	MG RESISTOR	8.2kΩ 1/16W J		R3037	NRSA63J-103X	MG RESISTOR	10kΩ 1/16W J	
R1135	NRSA63J-222X	MG RESISTOR	2.2kΩ 1/16W J		R4701	NRSA63J-391X	MG RESISTOR	390Ω 1/16W J	
R1136	NRSA63J-332X	MG RESISTOR	3.3kΩ 1/16W J		R4702	NRSA63J-391X	MG RESISTOR	390Ω 1/16W J	
△ R1142	NRSA02J-100X	MG RESISTOR	10Ω 1/10W J		R4704	NRSA63J-391X	MG RESISTOR	390Ω 1/16W J	
△ R1143	NRSA02J-100X	MG RESISTOR	10Ω 1/10W J		R4705	NRSA63J-391X	MG RESISTOR	390Ω 1/16W J	
R1201	NRSA63J-152X	MG RESISTOR	1.5kΩ 1/16W J	X1C,X1J	R4707	NRSA63J-103X	MG RESISTOR	10kΩ 1/16W J	
R1201	NRSA63J-182X	MG RESISTOR	1.8kΩ 1/16W J	X3C,X3J	R4709	NRSA63J-222X	MG RESISTOR	2.2kΩ 1/16W J	
R1202	NRSA63J-113X	MG RESISTOR	11kΩ 1/16W J		R7101	NRSA63J-332X	MG RESISTOR	3.3kΩ 1/16W J	
R1203	NRSA63J-821X	MG RESISTOR	820Ω 1/16W J		R7102	NRSA63J-182X	MG RESISTOR	1.8kΩ 1/16W J	
R1204	NRSA63J-103X	MG RESISTOR	10kΩ 1/16W J		R7103	NRSA63J-202X	MG RESISTOR	2kΩ 1/16W J	
R1205	NRSA63J-103X	MG RESISTOR	10kΩ 1/16W J		R7104	NRSA63J-332X	MG RESISTOR	3.3kΩ 1/16W J	
R1206	NRSA63J-474X	MG RESISTOR	470kΩ 1/16W J		R7111	NRSA63J-102X	MG RESISTOR	1kΩ 1/16W J	
R1207	NRSA63J-103X	MG RESISTOR	10kΩ 1/16W J		R7112	NRSA63J-102X	MG RESISTOR	1kΩ 1/16W J	
R1208	NRSA63J-331X	MG RESISTOR	330Ω 1/16W J		R7113	NRSA63J-102X	MG RESISTOR	1kΩ 1/16W J	
R1210	NRSA63J-821X	MG RESISTOR	820Ω 1/16W J		R7114	NRSA63J-102X	MG RESISTOR	1kΩ 1/16W J	
R1211	NRSA63J-822X	MG RESISTOR	8.2kΩ 1/16W J		R7115	NRSA63J-473X	MG RESISTOR	47kΩ 1/16W J	
R1212	NRSA63J-562X	MG RESISTOR	5.6kΩ 1/16W J		R7116	NRSA63J-473X	MG RESISTOR	47kΩ 1/16W J	
R1213	NRSA63J-562X	MG RESISTOR	5.6kΩ 1/16W J		R7117	NRSA63J-473X	MG RESISTOR	47kΩ 1/16W J	
R1215	NRSA63J-223X	MG RESISTOR	22kΩ 1/16W J		R7118	NRSA63J-473X	MG RESISTOR	47kΩ 1/16W J	
R1216	NRSA63J-223X	MG RESISTOR	22kΩ 1/16W J		R7202	NRSA63J-221X	MG RESISTOR	220Ω 1/16W J	
R1217	NRSA63J-183X	MG RESISTOR	18kΩ 1/16W J		R7203	NRSA63J-181X	MG RESISTOR	180Ω 1/16W J	
					R7204	NRSA63J-181X	MG RESISTOR	180Ω 1/16W J	

△ Symbol No.	Part No.	Part Name	Description	Local	△ Symbol No.	Part No.	Part Name	Description	Local
R7205	NRSA63J-181X	MG RESISTOR	180Ω 1/16W J		R8202	NRSA63J-102X	MG RESISTOR	1kΩ 1/16W J	
R7301	NRSA63J-182X	MG RESISTOR	1.8kΩ 1/16W J		R8211	NRSA63J-221X	MG RESISTOR	220Ω 1/16W J	
R7304	NRSA63J-221X	MG RESISTOR	220Ω 1/16W J		R8301	NRSA63J-103X	MG RESISTOR	10kΩ 1/16W J	
R7305	NRSA63J-821X	MG RESISTOR	820Ω 1/16W J		R8302	NRSA63J-822X	MG RESISTOR	8.2kΩ 1/16W J	
R8001	NRSA63J-222X	MG RESISTOR	2.2kΩ 1/16W J		R8303	NRSA63J-822X	MG RESISTOR	8.2kΩ 1/16W J	
R8002	NRSA63J-222X	MG RESISTOR	2.2kΩ 1/16W J		R8304	NRSA63J-103X	MG RESISTOR	10kΩ 1/16W J	
R8003	NRSA63J-102X	MG RESISTOR	1kΩ 1/16W J		R8401	NRSA63J-104X	MG RESISTOR	100kΩ 1/16W J	
R8004	NRSA63J-102X	MG RESISTOR	1kΩ 1/16W J		R8402	NRSA63J-104X	MG RESISTOR	100kΩ 1/16W J	
R8005	NRSA63J-102X	MG RESISTOR	1kΩ 1/16W J		R8403	NRSA63J-103X	MG RESISTOR	10kΩ 1/16W J	
R8006	NRSA63J-102X	MG RESISTOR	1kΩ 1/16W J		R8404	NRSA63J-102X	MG RESISTOR	1kΩ 1/16W J	
R8007	NRSA63J-102X	MG RESISTOR	1kΩ 1/16W J		R8405	NRSA63J-123X	MG RESISTOR	12kΩ 1/16W J	
R8009	NRSA63J-103X	MG RESISTOR	10kΩ 1/16W J		R8406	NRSA63J-102X	MG RESISTOR	1kΩ 1/16W J	
R8010	NRSA63J-473X	MG RESISTOR	47kΩ 1/16W J		R8407	NRSA63J-223X	MG RESISTOR	22kΩ 1/16W J	
R8011	NRSA63J-103X	MG RESISTOR	10kΩ 1/16W J		R8408	NRSA63J-392X	MG RESISTOR	3.9kΩ 1/16W J	
R8012	NRSA63J-103X	MG RESISTOR	10kΩ 1/16W J		R8601	NRSA63J-101X	MG RESISTOR	100Ω 1/16W J	
R8016	NRSA63J-102X	MG RESISTOR	1kΩ 1/16W J		R8602	NRSA63J-101X	MG RESISTOR	100Ω 1/16W J	
R8017	NRSA63J-102X	MG RESISTOR	1kΩ 1/16W J		R8603	NRSA63J-101X	MG RESISTOR	100Ω 1/16W J	
R8018	NRSA63J-102X	MG RESISTOR	1kΩ 1/16W J		R8604	NRSA63J-101X	MG RESISTOR	100Ω 1/16W J	
R8020	NRSA63J-102X	MG RESISTOR	1kΩ 1/16W J		R8605	NRSA63J-101X	MG RESISTOR	100Ω 1/16W J	
R8021	NRSA63J-222X	MG RESISTOR	2.2kΩ 1/16W J		R8606	NRSA63J-101X	MG RESISTOR	100Ω 1/16W J	
R8023	NRSA63J-102X	MG RESISTOR	1kΩ 1/16W J		R8611	NRSA63J-103X	MG RESISTOR	10kΩ 1/16W J	
R8025	NRSA63J-103X	MG RESISTOR	10kΩ 1/16W J		R8612	NRSA63J-153X	MG RESISTOR	15kΩ 1/16W J	
R8027	NRSA63J-101X	MG RESISTOR	100Ω 1/16W J		R8613	NRSA63J-681X	MG RESISTOR	680Ω 1/16W J	
R8028	NRSA63J-102X	MG RESISTOR	1kΩ 1/16W J		R8709	NRSA63J-222X	MG RESISTOR	2.2kΩ 1/16W J	
R8034	NRSA63J-222X	MG RESISTOR	2.2kΩ 1/16W J		R8801	NRSA63J-103X	MG RESISTOR	10kΩ 1/16W J	
R8036	NRSA63J-562X	MG RESISTOR	5.6kΩ 1/16W J		R8802	NRSA63J-103X	MG RESISTOR	10kΩ 1/16W J	
R8040	NRSA63J-101X	MG RESISTOR	100Ω 1/16W J		R8803	NRSA63J-104X	MG RESISTOR	100kΩ 1/16W J	
R8041	NRSA63J-101X	MG RESISTOR	100Ω 1/16W J		R8804	NRSA63J-333X	MG RESISTOR	33kΩ 1/16W J	
R8042	NRSA63J-101X	MG RESISTOR	100Ω 1/16W J		R8901	NRSA63J-273X	MG RESISTOR	27kΩ 1/16W J	
R8043	NRSA63J-101X	MG RESISTOR	100Ω 1/16W J		R8902	NRSA63J-683X	MG RESISTOR	68kΩ 1/16W J	
R8045	NRSA63J-102X	MG RESISTOR	1kΩ 1/16W J		R8903	NRSA63J-393X	MG RESISTOR	39kΩ 1/16W J	
R8046	NRSA63J-102X	MG RESISTOR	1kΩ 1/16W J		R8904	NRSA63J-683X	MG RESISTOR	68kΩ 1/16W J	
R8047	NRSA63J-102X	MG RESISTOR	1kΩ 1/16W J		R8911	NRSA63J-123X	MG RESISTOR	12kΩ 1/16W J	
R8048	NRSA63J-102X	MG RESISTOR	1kΩ 1/16W J		R8954	NRSA63J-104X	MG RESISTOR	100kΩ 1/16W J	
R8049	NRSA63J-222X	MG RESISTOR	2.2kΩ 1/16W J		R8957	NRSA63J-103X	MG RESISTOR	10kΩ 1/16W J	
R8050	NRSA63J-222X	MG RESISTOR	2.2kΩ 1/16W J		R8958	NRSA63J-222X	MG RESISTOR	2.2kΩ 1/16W J	
R8051	NRSA63J-223X	MG RESISTOR	22kΩ 1/16W J		R8959	NRSA63J-473X	MG RESISTOR	47kΩ 1/16W J	
R8052	NRSA63J-102X	MG RESISTOR	1kΩ 1/16W J		R8960	NRSA63J-473X	MG RESISTOR	47kΩ 1/16W J	
R8053	NRSA63J-102X	MG RESISTOR	1kΩ 1/16W J		R9421	NRSA63J-103X	MG RESISTOR	10kΩ 1/16W J	
R8054	NRSA63J-222X	MG RESISTOR	2.2kΩ 1/16W J		R9422	NRSA63J-102X	MG RESISTOR	1kΩ 1/16W J	
R8055	NRSA63J-222X	MG RESISTOR	2.2kΩ 1/16W J		R9423	NRSA63J-102X	MG RESISTOR	1kΩ 1/16W J	
R8057	NRSA63J-222X	MG RESISTOR	2.2kΩ 1/16W J		R9424	NRSA63J-222X	MG RESISTOR	2.2kΩ 1/16W J	
R8058	NRSA63J-102X	MG RESISTOR	1kΩ 1/16W J		△ R9426	QRZ9006-4R7X	FUSI RESISTOR	4.7Ω 1/4W J	
R8059	NRSA63J-513X	MG RESISTOR	51kΩ 1/16W J		R9427	NRSA63J-102X	MG RESISTOR	1kΩ 1/16W J	
R8061	NRSA63J-222X	MG RESISTOR	2.2kΩ 1/16W J		R9701	NRSA63J-102X	MG RESISTOR	1kΩ 1/16W J	
R8062	NRSA63J-222X	MG RESISTOR	2.2kΩ 1/16W J		R9702	QRJ146J-101X	UNF C RESISTOR	100Ω 1/4W J	
R8063	NRSA63J-222X	MG RESISTOR	2.2kΩ 1/16W J		R9703	NRSA63J-473X	MG RESISTOR	47kΩ 1/16W J	
R8064	NRSA63J-222X	MG RESISTOR	2.2kΩ 1/16W J		R9704	NRSA63J-222X	MG RESISTOR	2.2kΩ 1/16W J	
R8065	NRSA63J-222X	MG RESISTOR	2.2kΩ 1/16W J		R9705	NRSA63J-223X	MG RESISTOR	22kΩ 1/16W J	
R8068	NRSA63J-474X	MG RESISTOR	470kΩ 1/16W J		R9706	NRSA63J-123X	MG RESISTOR	12kΩ 1/16W J	
R8069	NRSA63J-824X	MG RESISTOR	820kΩ 1/16W J		R9707	NRSA63J-823X	MG RESISTOR	82kΩ 1/16W J	
R8071	NRSA63J-222X	MG RESISTOR	2.2kΩ 1/16W J		R9708	NRSA63J-103X	MG RESISTOR	10kΩ 1/16W J	
R8072	NRSA63J-222X	MG RESISTOR	2.2kΩ 1/16W J		R9709	NRSA63J-223X	MG RESISTOR	22kΩ 1/16W J	
R8073	NRSA63J-102X	MG RESISTOR	1kΩ 1/16W J		R9901	NRSA63J-562X	MG RESISTOR	5.6kΩ 1/16W J	
R8075	NRSA63J-222X	MG RESISTOR	2.2kΩ 1/16W J		R9902	NRSA63J-202X	MG RESISTOR	2kΩ 1/16W J	
R8076	NRSA63J-222X	MG RESISTOR	2.2kΩ 1/16W J		R9903	NRSA63J-103X	MG RESISTOR	10kΩ 1/16W J	
R8077	NRSA63J-222X	MG RESISTOR	2.2kΩ 1/16W J		R9904	NRSA63J-0R0X	MG RESISTOR	0Ω 1/16W J	
R8078	NRSA63J-222X	MG RESISTOR	2.2kΩ 1/16W J						
R8079	NRSA63J-222X	MG RESISTOR	2.2kΩ 1/16W J		L1101	QQLZ037-220	COIL	22uH	
R8080	NRSA63J-222X	MG RESISTOR	2.2kΩ 1/16W J		L1102	QQLZ037-220	COIL	22uH	
R8081	NRSA63J-101X	MG RESISTOR	100Ω 1/16W J		△ L1136	QQR0797-002	COIL		
R8082	NRSA63J-222X	MG RESISTOR	2.2kΩ 1/16W J		L1201	QQLZ037-220	COIL	22uH	
R8085	NRSA63J-102X	MG RESISTOR	1kΩ 1/16W J		L1202	QQLZ037-220	COIL	22uH	
R8086	NRSA63J-102X	MG RESISTOR	1kΩ 1/16W J		△ L1236	QQR0797-002	COIL		
R8087	NRSA63J-102X	MG RESISTOR	1kΩ 1/16W J		L8101	QQR1372-001	LPF		
R8088	NRSA63J-102X	MG RESISTOR	1kΩ 1/16W J		L8201	QQR1372-001	LPF		
R8091	NRSA63J-332X	MG RESISTOR	3.3kΩ 1/16W J		L9701	QQL28AK-101	CHOKE COIL	100uH K	
R8092	NRSA63J-103X	MG RESISTOR	10kΩ 1/16W J						
R8093	NRSA63J-103X	MG RESISTOR	10kΩ 1/16W J		△ CN302	QNB0118-004	SPK TERMINAL		
R8094	NRS181J-470X	MG RESISTOR	47Ω 1/8W J		CN310	QGA2001F2-04X	CONNECTOR	W-B (1-4)	
R8095	NRSA63J-103X	MG RESISTOR	10kΩ 1/16W J		CN661	QGF1036F1-19	CONNECTOR	FFC/FFC (1-19)	
R8096	NRSA63J-103X	MG RESISTOR	10kΩ 1/16W J		CN711	QGF1016F3-13	CONNECTOR	FFC/FFC (1-13)	
R8097	NRSA63J-103X	MG RESISTOR	10kΩ 1/16W J		CN721	QGF1016F2-13W	CONNECTOR	FFC/FFC (1-13)	
R8098	NRSA63J-103X	MG RESISTOR	10kΩ 1/16W J		CN731	QGF1036F1-07	CONNECTOR	FFC/FFC (1-7)	
R8101	NRSA63J-512X	MG RESISTOR	5.1kΩ 1/16W J		CN741	QGF1016F2-07W	CONNECTOR	FFC/FFC (1-7)	
R8102	NRSA63J-102X	MG RESISTOR	1kΩ 1/16W J		CN801	QGB2024K1-06S	CONNECTOR	B-B (1-6)	
R8111	NRSA63J-221X	MG RESISTOR	220Ω 1/16W J		CN802	QGB1214J1-12S	CONNECTOR	B-B (1-12)	
R8201	NRSA63J-512X	MG RESISTOR	5.1kΩ 1/16W J		CN805	QGA2008F1-26	CONNECTOR	W-B (1-26)	

△ Symbol No.	Part No.	Part Name	Description	Local
CN871	QGF1205F1-11	CONNECTOR	FFC/FPC (1-11)	
CN941	QGB2510K2-12	CONNECTOR	B-B (1-12)	
CN961	QGB1214J1-06S	CONNECTOR	B-B (1-6)	
CN981	QGB2510J1-04	CONNECTOR	B-B (1-4)	
△ CP971	ICP-S1.2-X	IC PROTECTOR	1.2A	
EP731	QNZ0136-001Z	EARTH PLATE		
FW701	QUM036-10Z3Z3	PARA RIBON WIRE		
HS941	LV43250-001A	HEAT SINK		
HS971	LV43250-001A	HEAT SINK		
HS991	LV43250-002A	HEAT SINK		
K3001	NQR0389-003X	FERRITE BEADS		
K3002	NQR0389-003X	FERRITE BEADS		
K3003	NQR0389-003X	FERRITE BEADS		
K3004	NQR0389-003X	FERRITE BEADS		
K3005	NQR0389-003X	FERRITE BEADS		
LS711	QSW0992-001	ROTARY ENCODER		
LS712	QSW0993-001	ROTARY ENCODER		
S7101	QSW0683-001Z	PUSH SW		
S7102	QSW0683-001Z	PUSH SW		
S7103	QSW0683-001Z	PUSH SW		
S7104	QSW0683-001Z	PUSH SW		
S7105	QSW0683-001Z	PUSH SW		
S7106	QSW0683-001Z	PUSH SW		
S7301	QSW0683-001Z	PUSH SW		
WR471	WJK0154-001A	WIRE		
WR803	QJK005-061601	WIRE		
X3001	QAX0734-001	C RESONATOR	400.00kHz	
X3002	QAX0735-001	C RESONATOR	420.00kHz	
X8001	QAX0401-001	CRYSTAL	32.768kHz	
X8301	QAX0416-001Z	C RESONATOR	8.000MHz	

△ Symbol No.	Part No.	Part Name	Description	Local
C622	QEKC0JM-107Z	E CAPACITOR	100uF 6.3V M	
C623	NCF21CZ-105X	C CAPACITOR	1uF 16V Z	
C624	QEKC0JM-107Z	E CAPACITOR	100uF 6.3V M	
C631	QEKC1CM-106Z	E CAPACITOR	10uF 16V M	
C632	NCF21CZ-105X	C CAPACITOR	1uF 16V Z	
C633	NCB31EK-223X	C CAPACITOR	0.022uF 25V K	
C651	NDC31HJ-1R0X	C CAPACITOR	1pF 50V J	
C652	NDC31HJ-1R0X	C CAPACITOR	1pF 50V J	
C653	NCB31AK-334X	C CAPACITOR	0.33uF 10V K	
C655	NCB31CK-104X	C CAPACITOR	0.1uF 16V K	
C656	NCB31CK-104X	C CAPACITOR	0.1uF 16V K	
C657	QEKC0JM-107Z	E CAPACITOR	100uF 6.3V M	
C658	NCB31CK-104X	C CAPACITOR	0.1uF 16V K	
C661	NCB31HK-471X	C CAPACITOR	470pF 50V K	
C663	NCB31EK-223X	C CAPACITOR	0.022uF 25V K	
C664	NCB31EK-223X	C CAPACITOR	0.022uF 25V K	
C665	NCB21CK-154X	C CAPACITOR	0.15uF 16V K	
C667	NCB21CK-474X	C CAPACITOR	0.47uF 16V K	
C668	NCB31CK-473X	C CAPACITOR	0.047uF 16V K	
C673	QER60JM-107Z	E CAPACITOR	100uF 6.3V M	
C676	NCB31CK-104X	C CAPACITOR	0.1uF 16V K	
C677	NCB31CK-104X	C CAPACITOR	0.1uF 16V K	
C678	NCB31CK-104X	C CAPACITOR	0.1uF 16V K	
C679	QEKC0JM-107Z	E CAPACITOR	100uF 6.3V M	
C680	NCB31CK-104X	C CAPACITOR	0.1uF 16V K	
C681	NDC31HJ-4R0X	C CAPACITOR	4pF 50V J	
C682	NDC31HJ-220X	C CAPACITOR	22pF 50V J	
C683	NDC31HJ-390X	C CAPACITOR	39pF 50V J	
C801	NCB31EK-223X	C CAPACITOR	0.022uF 25V K	
C802	NCB31HK-102X	C CAPACITOR	1000pF 50V K	
C811	NCB31HK-391X	C CAPACITOR	390pF 50V K	
C812	NCB31HK-391X	C CAPACITOR	390pF 50V K	
C813	NCB31HK-391X	C CAPACITOR	390pF 50V K	
C814	NCB31HK-391X	C CAPACITOR	390pF 50V K	
C815	NCB21AK-105X	C CAPACITOR	1uF 10V K	
C816	NCB20JK-155X	C CAPACITOR	1.5uF 6.3V K	
C817	NCF21CZ-105X	C CAPACITOR	1uF 16V Z	
C818	NCF21CZ-105X	C CAPACITOR	1uF 16V Z	
C821	NCF21CZ-105X	C CAPACITOR	1uF 16V Z	
C822	QERF1AM-227Z	E CAPACITOR	220uF 10V M	
C861	NCB31HK-102X	C CAPACITOR	1000pF 50V K	
C862	NCB31HK-102X	C CAPACITOR	1000pF 50V K	
C863	NCB31HK-272X	C CAPACITOR	2700pF 50V K	
C864	NCB31HK-272X	C CAPACITOR	2700pF 50V K	

CD servo board

Block No. [0][3][0][0]

△ Symbol No.	Part No.	Part Name	Description	Local
IC251	UPD780024AGKB92	IC		
IC291	XC62HR3502P-X	IC	Regulator	
IC601	AN22000A-W	IC	RF & SERVO AMP	
IC651	MN662790RSC	IC		
IC801	LA6541-X	IC	Focus & Spindle & Feed & Tracking BTL driver	
Q631	2SA1037AK/RS-X	TRANSISTOR		
Q651	DTC114EUA-X	DIGI TRANSISTOR		
Q652	DTC114EUA-X	DIGI TRANSISTOR		
Q673	UN2111-X	TRANSISTOR		
Q801	UN2215-X	TRANSISTOR		
D292	MA112-X	DIODE		
D603	1SS355-X	SI DIODE		
C254	QERF1AM-476Z	E CAPACITOR	47uF 10V M	
C255	NCB31CK-104X	C CAPACITOR	0.1uF 16V K	
C256	NCB31CK-104X	C CAPACITOR	0.1uF 16V K	
C271	NDC31HJ-101X	C CAPACITOR	100pF 50V J	
C272	NDC31HJ-101X	C CAPACITOR	100pF 50V J	
C273	NCB31CK-104X	C CAPACITOR	0.1uF 16V K	
C291	NCB21CK-105X	C CAPACITOR	1uF 16V K	
C292	NCB21CK-105X	C CAPACITOR	1uF 16V K	
C601	NCB31HK-102X	C CAPACITOR	1000pF 50V K	
C602	NCB31HK-102X	C CAPACITOR	1000pF 50V K	
C603	NCB31EK-223X	C CAPACITOR	0.022uF 25V K	
C604	NCB31EK-223X	C CAPACITOR	0.022uF 25V K	
C605	NCB31HK-271X	C CAPACITOR	270pF 50V K	
C606	NDC31HJ-820X	C CAPACITOR	82pF 50V J	
C610	NCB31CK-563X	C CAPACITOR	0.056uF 16V K	
C611	NCB21CK-104X	C CAPACITOR	0.1uF 16V K	
C612	QEKC1HM-104Z	E CAPACITOR	0.1uF 50V M	
C614	NCB31CK-393X	C CAPACITOR	0.039uF 16V K	
C615	NCB31HK-272X	C CAPACITOR	2700pF 50V K	
C616	NCB31HK-182X	C CAPACITOR	1800pF 50V K	
C617	NCB31HK-331X	C CAPACITOR	330pF 50V K	
C621	NCB31CK-104X	C CAPACITOR	0.1uF 16V K	

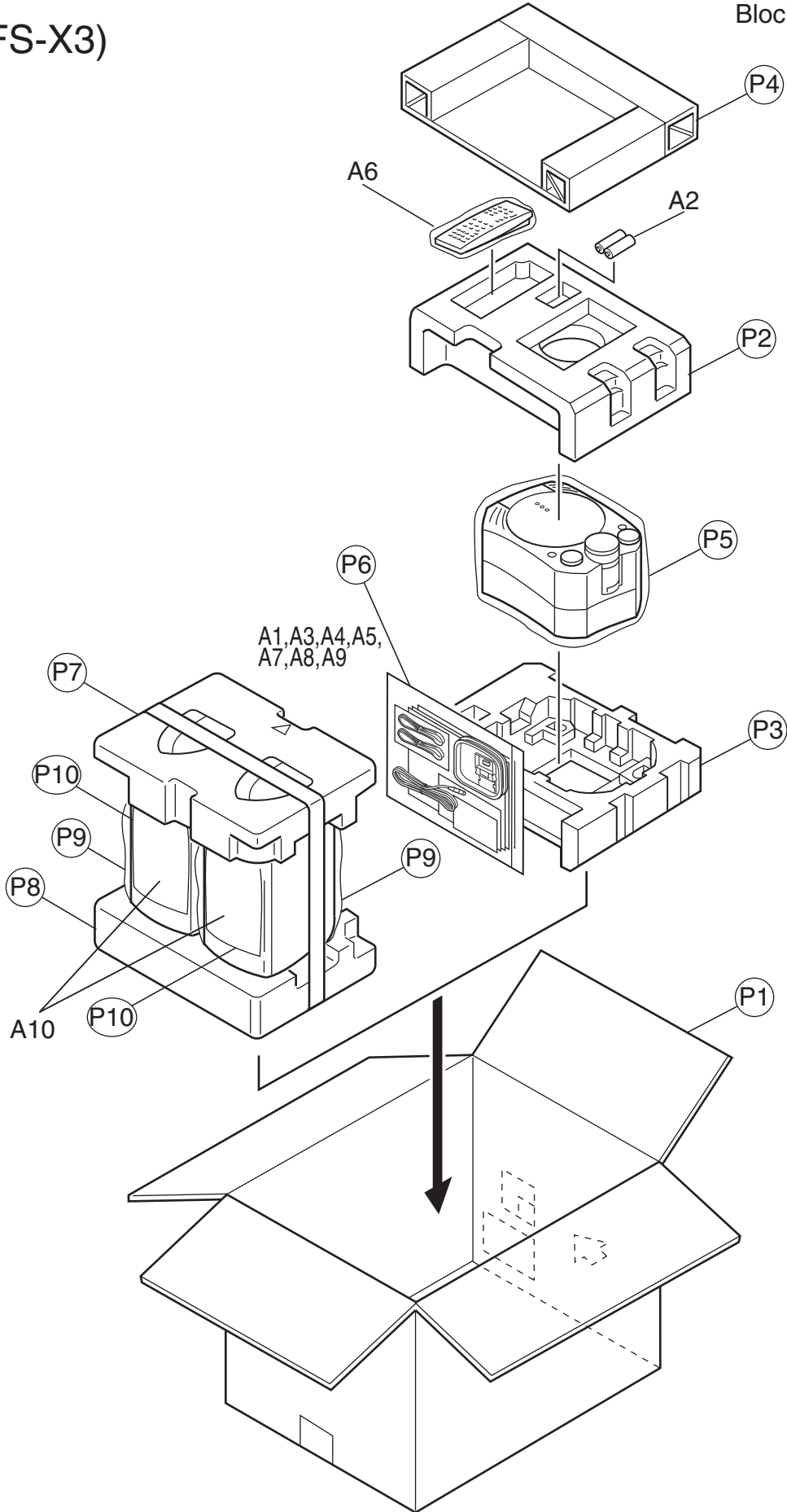
R251	NRSA63J-102X	MG RESISTOR	1kΩ 1/16W J	
R252	NRSA63J-102X	MG RESISTOR	1kΩ 1/16W J	
R253	NRSA63J-102X	MG RESISTOR	1kΩ 1/16W J	
R254	NRSA63J-102X	MG RESISTOR	1kΩ 1/16W J	
R255	NRSA63J-102X	MG RESISTOR	1kΩ 1/16W J	
R256	NRSA63J-102X	MG RESISTOR	1kΩ 1/16W J	
R257	NRSA63J-102X	MG RESISTOR	1kΩ 1/16W J	
R258	NRSA63J-102X	MG RESISTOR	1kΩ 1/16W J	
R259	NRSA63J-102X	MG RESISTOR	1kΩ 1/16W J	
R260	NRSA63J-102X	MG RESISTOR	1kΩ 1/16W J	
R261	NRSA63J-0R0X	MG RESISTOR	0Ω 1/16W J	
R262	NRSA63J-102X	MG RESISTOR	1kΩ 1/16W J	
R263	NRSA63J-102X	MG RESISTOR	1kΩ 1/16W J	
R271	NRSA63J-103X	MG RESISTOR	10kΩ 1/16W J	
R272	NRSA63J-103X	MG RESISTOR	10kΩ 1/16W J	
R273	NRSA63J-103X	MG RESISTOR	10kΩ 1/16W J	
R274	NRSA63J-682X	MG RESISTOR	6.8kΩ 1/16W J	
R275	NRSA63J-103X	MG RESISTOR	10kΩ 1/16W J	
R281	NRSA63J-102X	MG RESISTOR	1kΩ 1/16W J	
R282	NRSA63J-102X	MG RESISTOR	1kΩ 1/16W J	
R283	NRSA63J-101X	MG RESISTOR	100Ω 1/16W J	
R284	NRSA63J-102X	MG RESISTOR	1kΩ 1/16W J	
R285	NRSA63J-102X	MG RESISTOR	1kΩ 1/16W J	
R291	NRSA63J-103X	MG RESISTOR	10kΩ 1/16W J	
R292	NRSA63J-1R0X	MG RESISTOR	1Ω 1/16W J	
R293	NRSA63J-1R0X	MG RESISTOR	1Ω 1/16W J	
R601	NRSA63J-224X	MG RESISTOR	220kΩ 1/16W J	
R602	NRSA63J-823X	MG RESISTOR	82kΩ 1/16W J	
R603	NRSA63J-393X	MG RESISTOR	39kΩ 1/16W J	
R604	NRSA63J-224X	MG RESISTOR	220kΩ 1/16W J	
R607	NRSA63J-473X	MG RESISTOR	47kΩ 1/16W J	
R608	NRSA63J-473X	MG RESISTOR	47kΩ 1/16W J	
R609	NRSA63J-0R0X	MG RESISTOR	0Ω 1/16W J	

Symbol No.	Part No.	Part Name	Description	Local
R611	NRSA63J-562X	MG RESISTOR	5.6kΩ	1/16W J
R613	NRSA63J-562X	MG RESISTOR	5.6kΩ	1/16W J
R617	NRSA63J-152X	MG RESISTOR	1.5kΩ	1/16W J
R631	NRSA63J-2R2X	MG RESISTOR	2.2Ω	1/16W J
R632	NRSA63J-3R9X	MG RESISTOR	3.9Ω	1/16W J
R634	NRSA63J-3R9X	MG RESISTOR	3.9Ω	1/16W J
R635	NRSA63J-100X	MG RESISTOR	10Ω	1/16W J
R636	NRSA63J-151X	MG RESISTOR	150Ω	1/16W J
R651	NRSA63J-102X	MG RESISTOR	1kΩ	1/16W J
R652	NRSA63J-102X	MG RESISTOR	1kΩ	1/16W J
R653	NRSA63J-102X	MG RESISTOR	1kΩ	1/16W J
R654	NRSA63J-102X	MG RESISTOR	1kΩ	1/16W J
R659	NRSA63J-203X	MG RESISTOR	20kΩ	1/16W J
R661	NRSA63J-473X	MG RESISTOR	47kΩ	1/16W J
R662	NRSA63J-683X	MG RESISTOR	68kΩ	1/16W J
R663	NRSA63J-683X	MG RESISTOR	68kΩ	1/16W J
R664	NRSA63J-221X	MG RESISTOR	220Ω	1/16W J
R665	NRSA63J-101X	MG RESISTOR	100Ω	1/16W J
R666	NRSA02J-101X	MG RESISTOR	100Ω	1/10W J
R667	NRSA63J-4R7X	MG RESISTOR	4.7Ω	1/16W J
R668	NRSA63J-155X	MG RESISTOR	1.5MΩ	1/16W J
R669	NRSA63J-272X	MG RESISTOR	2.7kΩ	1/16W J
R671	NRSA63J-684X	MG RESISTOR	680kΩ	1/16W J
R673	NRSA63J-223X	MG RESISTOR	22kΩ	1/16W J
R675	NRSA63J-100X	MG RESISTOR	10Ω	1/16W J
R677	NRSA63J-102X	MG RESISTOR	1kΩ	1/16W J
R678	NRSA63J-102X	MG RESISTOR	1kΩ	1/16W J
R679	NRSA63J-102X	MG RESISTOR	1kΩ	1/16W J
R682	NRSA63J-102X	MG RESISTOR	1kΩ	1/16W J
R683	NRSA63J-105X	MG RESISTOR	1MΩ	1/16W J
R685	NRSA63J-683X	MG RESISTOR	68kΩ	1/16W J
R801	NRSA63J-272X	MG RESISTOR	2.7kΩ	1/16W J
R802	NRSA63J-152X	MG RESISTOR	1.5kΩ	1/16W J
R803	NRSA63J-472X	MG RESISTOR	4.7kΩ	1/16W J
R804	NRSA63J-103X	MG RESISTOR	10kΩ	1/16W J
R805	NRSA63J-123X	MG RESISTOR	12kΩ	1/16W J
R806	NRSA63J-122X	MG RESISTOR	1.2kΩ	1/16W J
R807	NRSA63J-101X	MG RESISTOR	100Ω	1/16W J
R808	NRSA63J-183X	MG RESISTOR	18kΩ	1/16W J
R809	NRSA63J-271X	MG RESISTOR	270Ω	1/16W J
R811	NRSA63J-473X	MG RESISTOR	47kΩ	1/16W J
R812	NRSA63J-152X	MG RESISTOR	1.5kΩ	1/16W J
R813	NRSA63J-182X	MG RESISTOR	1.8kΩ	1/16W J
R861	NRSA63J-681X	MG RESISTOR	680Ω	1/16W J
R862	NRSA63J-681X	MG RESISTOR	680Ω	1/16W J
R863	NRSA63J-561X	MG RESISTOR	560Ω	1/16W J
R864	NRSA63J-561X	MG RESISTOR	560Ω	1/16W J
CN601	QGF1037F1-15W	CONNECTOR	FFC/FPC (1-15)	
CN605	QGF1016F2-04W	CONNECTOR	FFC/FPC (1-4)	
CN606	QGF1016F2-08W	CONNECTOR	FFC/FPC (1-8)	
CN651	QGF1016F3-19	CONNECTOR	FFC/FPC (1-19)	
K655	NQR0007-002X	FERRITE BEADS		
K656	NQR0251-004X	FERRITE BEADS		
K657	NQR0251-004X	FERRITE BEADS		
K658	NQR0251-004X	FERRITE BEADS		
SW101	QSW0927-001	SWITCH		
X251	QAX0664-001Z	C RESONATOR		
X651	NAX0476-001X	CRYSTAL	33.8688MHz	

Packing materials and accessories parts list

(FS-X3)

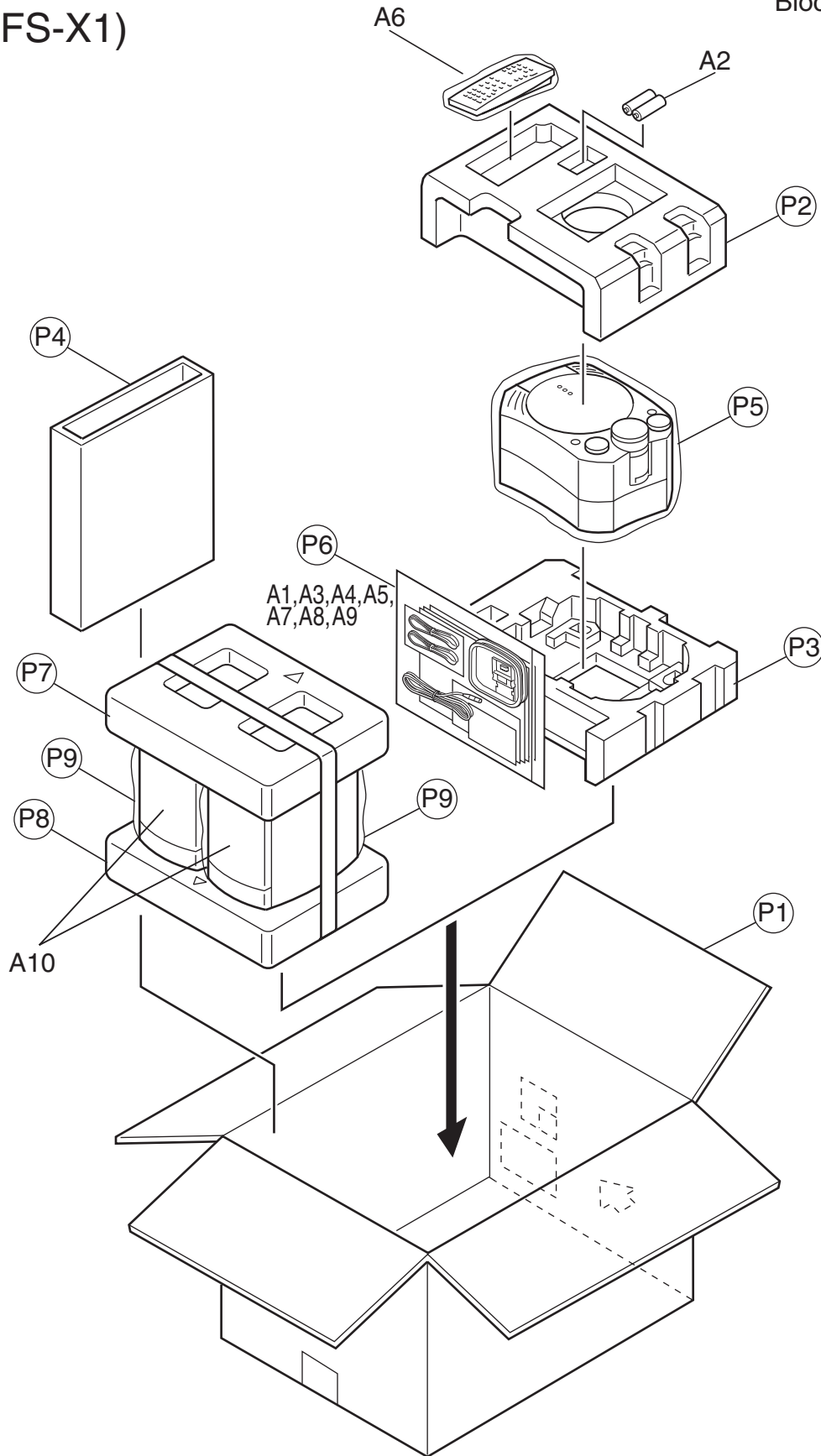
Block No. M 3 M M



Packing materials and accessories parts list

Block No. M 3 M M

(FS-X1)



Packing and accessories

Block No. [M][3][M][M]

△ Symbol No.	Part No.	Part Name	Description	Local
A 1	LVT1040-002A	INST BOOK	ENG,FRE	X1C,X3C
A 1	LVT1040-001A	INST BOOK	ENG	X1J,X3J
A 2	-----	BATTERY	(x2)	
A 3	BT-52006-2	WARRANTY CARD		X1C,X3C
A 3	BT-51018-3	WARRANTY CARD		X1J,X3J
A 4	BT-51028-2	J=REGIST CARD		X1J,X3J
A 5	YU20333	SAFETY INST.		
A 6	RM-SFSX5A	REMOCON		
A 7	QAM0293-001	SPK.CORD(2PCS)		
A 8	QAL0476-001	AM LOOP ANT		
A 9	QAL0457-001	ANT.WIRE		
A 10	FSX1E-SPBOX	SPK WITH BOX	(x2)	X1C,X1J
A 10	FSX3J-SPBOX	SPK WITH BOX	(x2)	X3C,X3J
P 1	LV33831-005A	PACKING CASE		X1C,X1J
P 1	LV34245-004A	PACKING CASE		X3C,X3J
P 2	LV10721-001A	PACKING PAD(UP)		
P 3	LV10722-001A	PACKING PAD(BO)		
P 4	LV21366-002A	PACKING SHEET		X1C,X1J
P 4	LV34255-001A	PACKING SHEET		X3C,X3J
P 5	QPC03505015P	POLY BAG	35cm x 50cm	
P 6	QPC02503510P	POLY BAG	25cm x 35cm	
P 7	LV33870-001A	PACKING PAD(TOP)		X1C,X1J
P 7	LV34237-001A	PACKING PAD(TOP)		X3C,X3J
P 8	LV33870-002A	PACKING PAD(BTM)		X1C,X1J
P 8	LV34237-002A	PACKING PAD(BTM)		X3C,X3J
P 9	MDSKO0001	PO BAG	(x2)	X1C,X1J
P 9	FX3KO0001	POLY BAG	(x2)	X3C,X3J
P 10	FX3KS0001	P.SHEET	(x2)	X3C,X3J